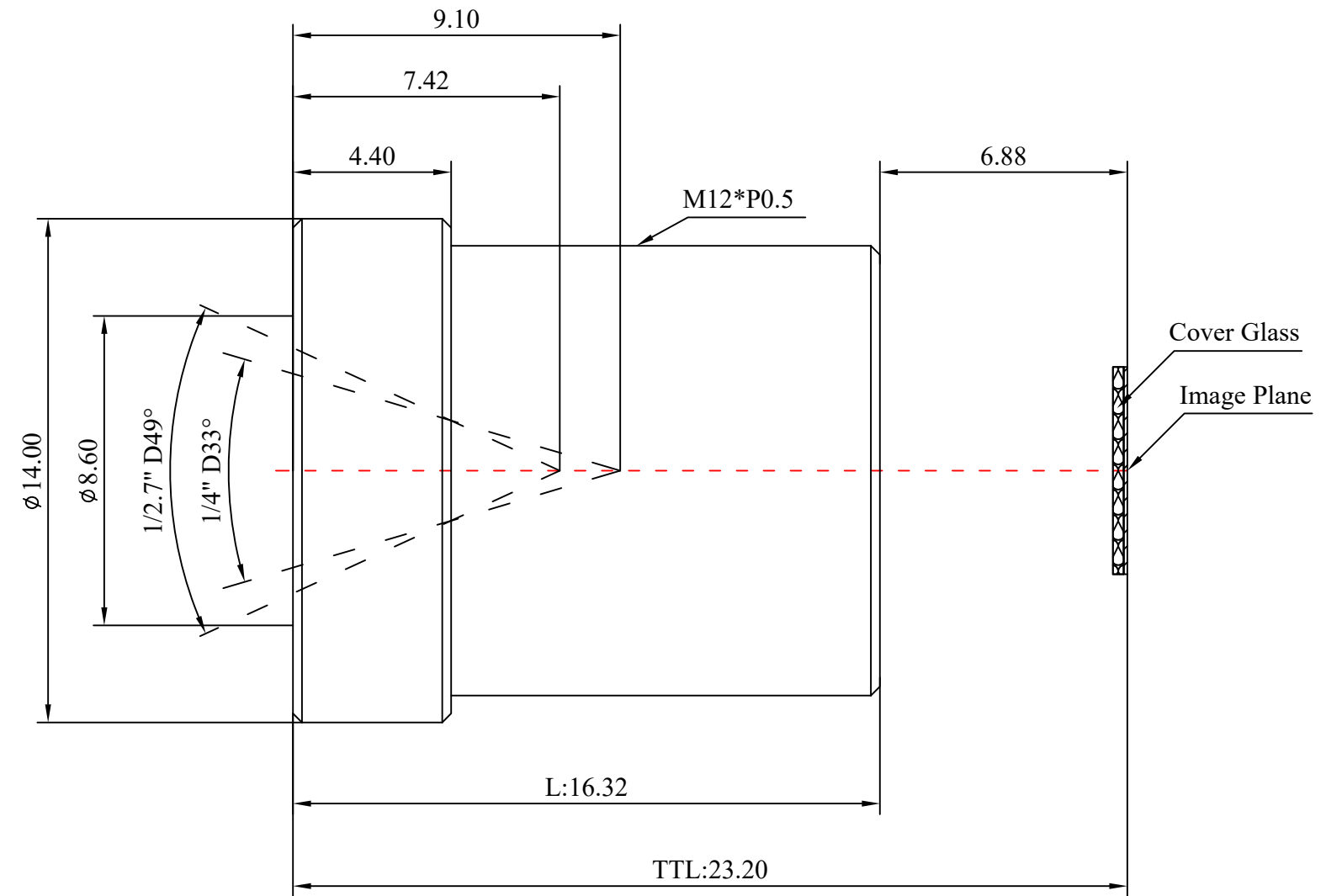


1	Sensor	1/2.5"			
2	Resolution	5MP			
3	Image Format	5.76*4.28*7.13mm			
4	Image Circle	φ7.2mm(MAX)			
5	EFL	8mm			
6	TTL	23.20mm			
7	F/NO.	2.0			
8	FFL (M)	6.88mm			
9	BFL (O)	8.65mm			
10	For Sensor	1/2.5"	1/2.7"	1/4"	
11	F.O.V	Horizontal	44.2°	43°	25°
12		Vertical	25°	23.2°	23°
13		Diagonal	50°	49.4°	33°
14	TV Distortion	<-6.5%			
15	Relative Ill.	>60%			
16	Chief Ray Angle	<15°			
17	M.O.D	0.1m~∞			
18	Mount Type	M12*P0.5-6g			
19	Dimension Figure	φ14.0*L16.32mm			
20	Lens Structure	6G All Glass			
21	IR-Filter	Non-IR			
22	Weight	5.1g			
23	Iris Operation	Fixed			
24	Zoom Operation	Fixed			
25	Focus Operation	Manual			
26	Operating Temperature	-20° ~+85°			
27	Storage Temperature	-20° ~+85°			



Remark:无刻字

Scale	Remark	Tolerances	Date	Revised		福州创安光电科技有限公司 FUZHOU CHUANGAN OPTICS CO., LTD
4: 1	X	± 0.2	2019-07-11	CH878D Rev1.0		
	X.0	± 0.15				
Units	X.00	± 0.10	Design	Linda	2017-05-03	
	X.000	± 0.001	Checked	Anna	2017-08-05	
mm	Angle	± 0.5°	Approval	Sanmu	2017-09-15	

