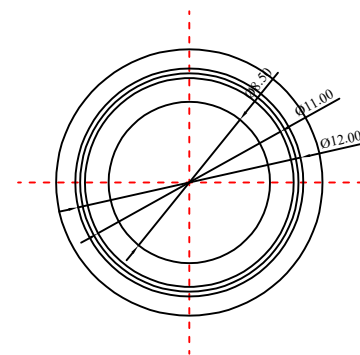
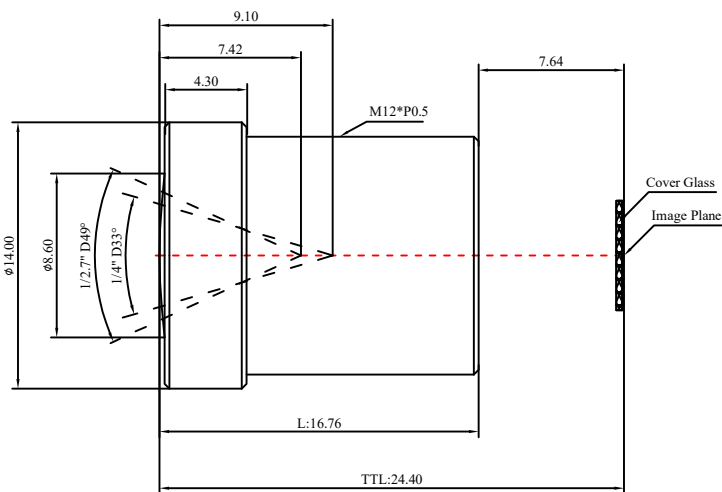




# PRODUCT: CH878A

1	Type	Board Lens			
2	Resolution	5MP			
3	Image Format	1/2.5"			
4	Image Circle	φ7.2mm(MAX)			
5	EFL	8mm			
6	TTL	24.40mm			
7	F/NO.	2.0			
8	FFL (M)	7.64mm			
9	BFL (O)	8.65mm			
10	For Sensor	1/2.5"	1/2.7"	1/4"	
11	F.O.V	Horizontal	44.2°	43°	25°
12		Vertical	25°	23.2°	23°
13		Diagonal	50°	49.4°	33°
14	TV Distortion	<-6.5%			
15	Relative Ill.	>60%			
16	Chief Ray Angle	<15%			
17	M.O.D	0.1m~∞			
18	Mount Type	M12*P0.5			
19	Dimension Figure	φ14.0*L16.76mm			
20	Lens Structure	6G All Glass			
21	IR-Filter	Non-IR			
22	Weight	5.1g			
23	Iris Operation	Fixed			
24	Zoom Operation	Fixed			
25	Focus Operation	Manual			
26	Operating Temperature	-20° ~+85°			
27	Storage Temperature	-20° ~+85°			



Scale	Remark	Tolerances	Date	Revised	
4: 1	X	± 0.2	2019-07-11	CH878A Rev1.0	
	X.0	± 0.15			
Units	X.00	± 0.10	Design	Linda	2017-05-03
	X.000	± 0.001	Checked	Anna	2017-08-05
mm	Angle	± 0.5°	Approval	Sanmu	2017-09-15

福州创安光电科技有限公司  
FUZHOU CHUANGAN OPTICS CO., LTD

3D Angle Projection