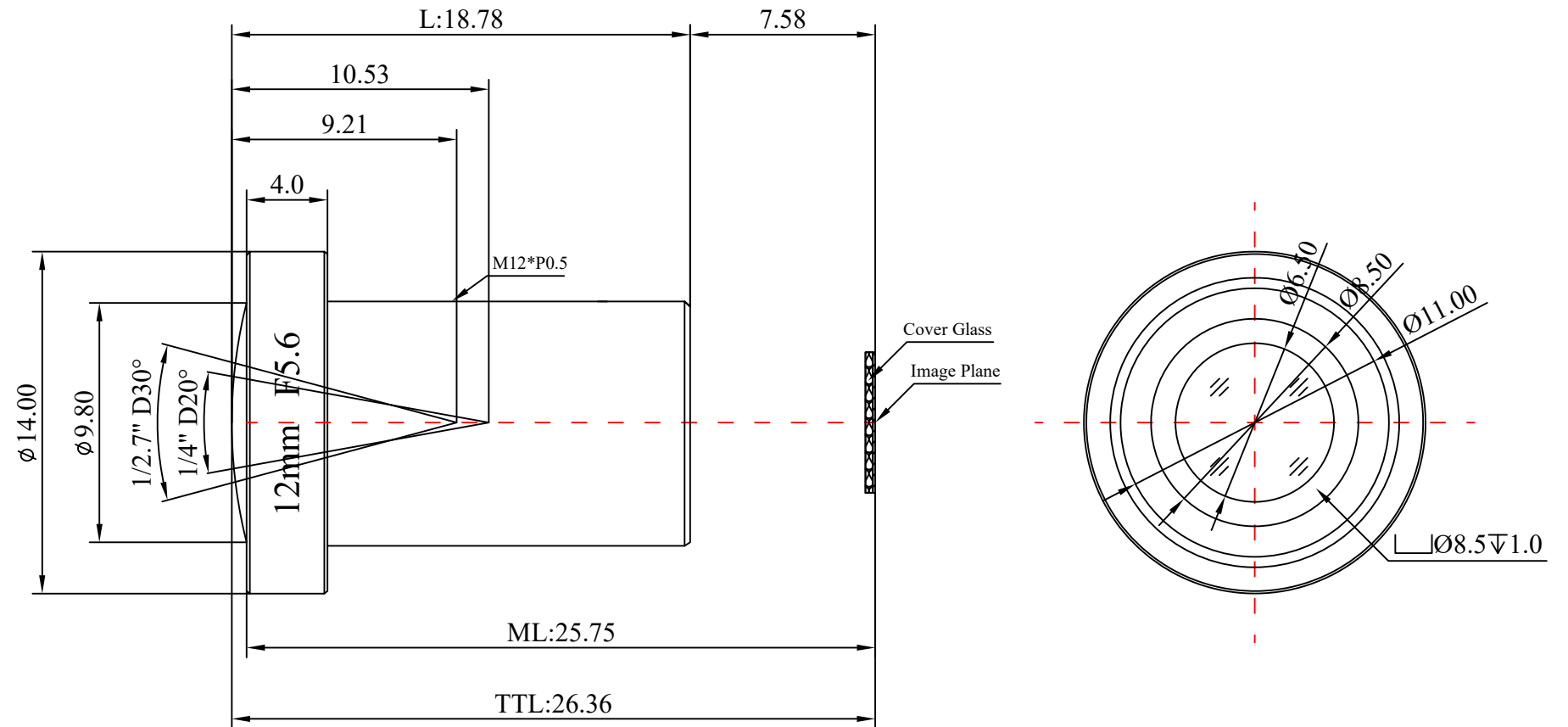


1	Type	Board Lens			
2	Resolution	5MP			
3	Image Format	1/2.5"			
4	Image Circle	φ7.2mm(MAX)			
5	EFL	12mm			
6	TTL	26.36mm			
7	F/NO.	5.6			
8	FFL (M)	7.58mm			
9	BFL (O)	11.55mm			
10	For Sensor	1/2.5"	1/2.7"	1/4"	
11	F.O.V	Horizontal	28°	26°	16°
12		Vertical	21°	14.7°	12°
13		Diagonal	35°	30°	20.4°
14	TV Distortion	<-2.22%			
15	Relative Ill.	>70%			
16	Chief Ray Angle	<18°			
17	M.O.D	0.1m~∞			
18	Mount Type	M12*P0.5			
19	Dimension Figure	φ14.0*L18.78mm			
20	Lens Structure	6G			
21	IR-Filter	Non-IR			
22	Weight	5.8g			
23	Iris Operation	Fixed			
24	Zoom Operation	Fixed			
25	Focus Operation	Manual			
26	Operating Temperature	-20° ~+85°			
27	Storage Temperature	-20° ~+85°			



Scale	Remark	Tolerances	Date	Revised		福州创安光电科技有限公司 FUZHOU CHUANGAN OPTICS CO., LTD
4: 1	X	± 0.2	2019-07-11	CH875E Rev1.1		
	X.0	± 0.15				
Units	X.00	± 0.10	Design	Linda	2015-09-10	
	X.000	± 0.001	Checked	Anna	2015-10-25	
mm	Angle	± 0.5°	Approval	Sanmu	2015-10-30	

