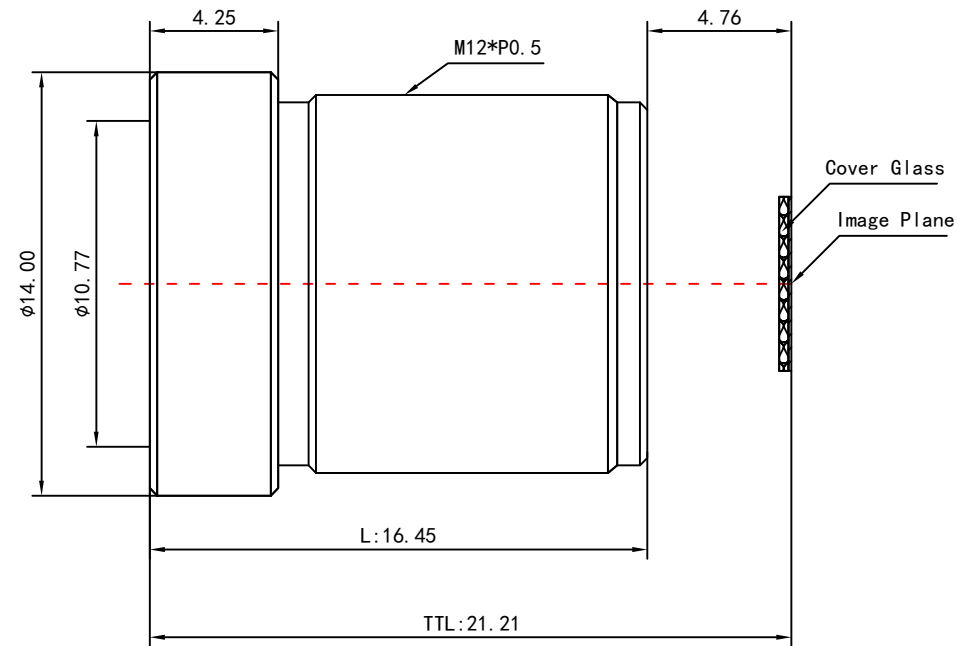




PRODUCT: CH844D

1	Type	Board Lens	
2	Resolution	2MP	
3	Image Format	1/2.7"	
4	Image Circle	φ7.0mm(MAX)	
5	EFL	2.8mm	
6	TTL	21.21mm	
7	F/NO.	2.2	
8	FFL (M)	4.67mm	
9	BFL (O)	4.96mm	
10	For Sensor	1/2.7"	
11	F.O.V	Horizontal	123.9°
12		Vertical	65.3°
13		Diagonal	150.1°
14	TV Distortion	< -16.3%	
15	Relative Ill.	> 65%	
16	Chief Ray Angle	< 15°	
17	M.O.D	0.1m~∞	
18	Mount Type	M12*P0.5-6g	
19	Dimension Figure	φ14.0*L16.45mm	
20	Lens Structure	2G3P	
21	IR-Filter	No IR	
22	Weight	4.5g	
23	Iris Operation	Fixed	
24	Zoom Operation	Fixed	
25	Focus Operation	Manual	
26	Operating Temperature	-15° ~ +70°	
27	Storage Temperature	-15° ~ +70°	



Scale	Remark	Tolerances	Date	Revised	
4: 1	X	± 0.2	2019-06-22	CH844D Rev1.0	
	X.0	± 0.15			
Units	X.00	± 0.10	Design	Linda	2016-08-05
	X.000	± 0.001	Checked	Anna	2016-10-20
mm	Angle	± 0.5°	Approval	Sanmu	2016-10-22

福州创安光电科技有限公司
FUZHOU CHUANGAN OPTICS CO., LTD

