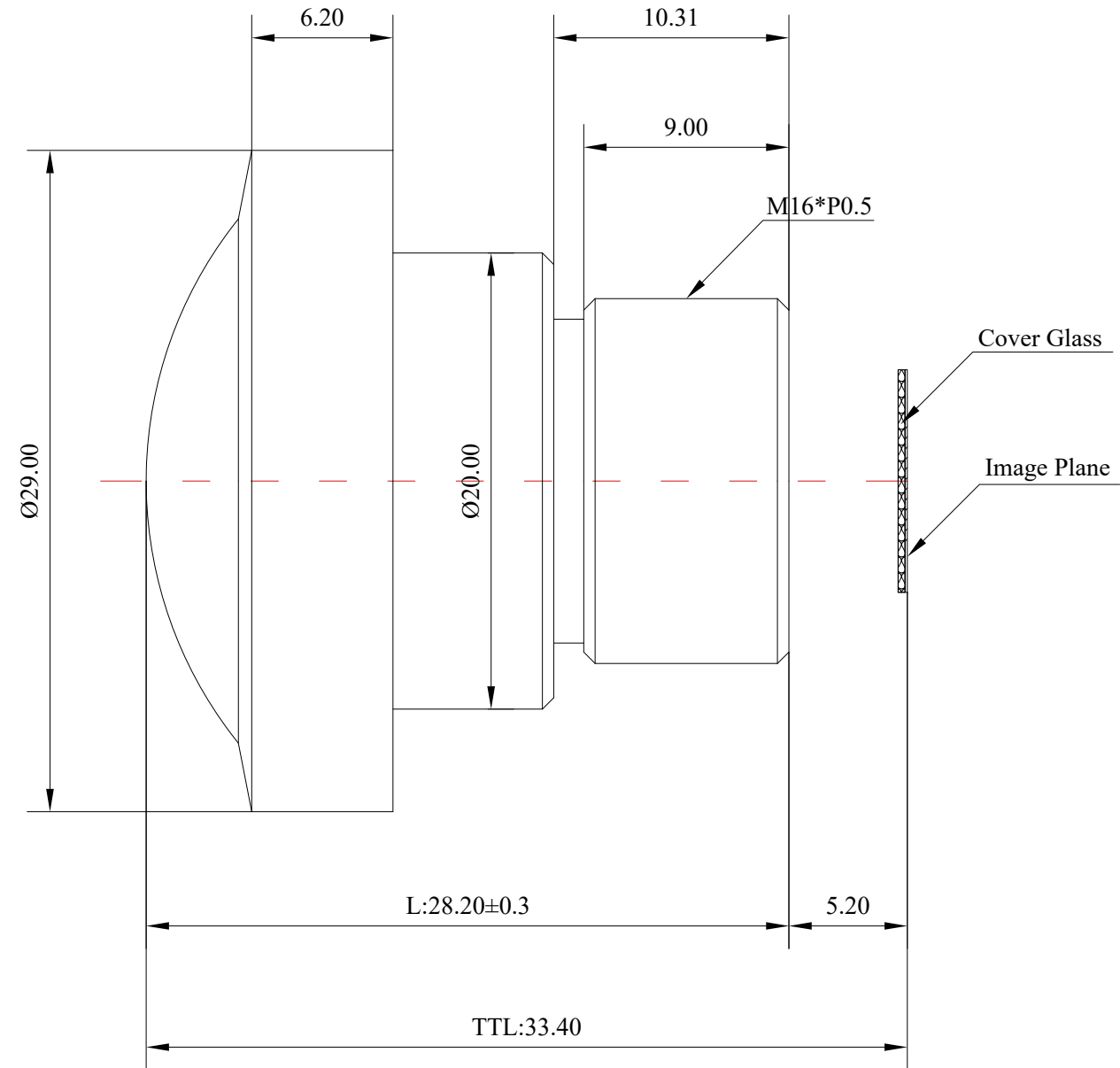
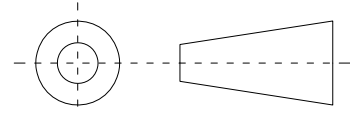


1	Type	Fisheye Lens	
2	Resolution	20MP	
3	Image Format	1"	
4	Image Circle	Ø13.2mm(MAX)	
5	EFL	3.7mm	
6	TTL	33.40mm	
7	F/NO.	F2.8	
8	FFL (M)	5.30mm	
9	BFL (O)	5.75mm	
10	For Sensor	1"	
11	F.O.V	Horizontal	200°@13.2mm
12		Vertical	150°@9.8mm
13		Diagonal	200°@13.2mm
14	Fθ Distortion	2.218%	
15	Relative Ill.	46%	
16	Chief Ray Angle	27.8°	
17	M.O.D	0.1m~∞	
18	Mount Type	M16*P0.5	
19	Dimension Figure	Ø29.0*L28.20mm	
20	Lens Structure	6G1GM	
21	IR-Filter	IR650nm	
22	Waterproof	No	
23	Weight	/	
24	Iris Operation	Fixed	
25	Zoom Operation	Fixed	
26	Focus Operation	Manual	
27	Operating Temperature	-15° ~+65°	
28	Storage Temperature	-15° ~+65°	



Scale	Remark	Tolerances	Date	Revsied	
4: 1	X	±0.2	2026-03-26	CH8178A Rev1.0	
	X.0	±0.15			
Units	X.00	±0.10	Design	Linda	2026-01-23
	X.000	±0.001	Checked	Anna	2026-03-15
mm	Angle	±0.05°	Approval	Sanmu	2026-03-21

福州创安光电科技有限公司
 FUZHOU CHUANGAN OPTICS CO., LTD



3D Angle Projection