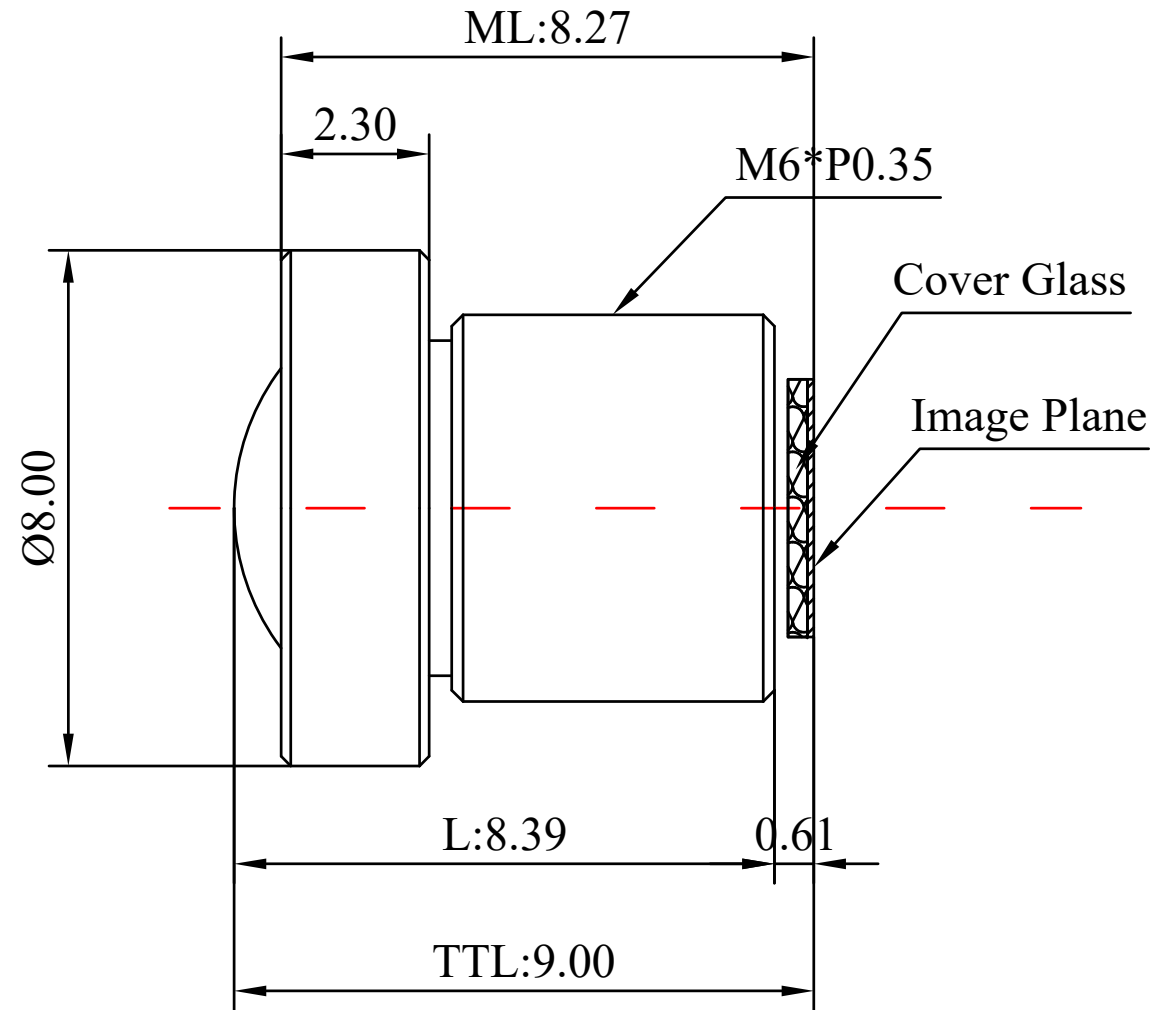


1	Type	Wide Angle Lens
2	Resolution	8MP
3	Image Format	1/4"
4	Image Circle	Ø5.0mm(MAX)
5	EFL	8.3mm
6	TTL	9.0mm
7	F/NO.	F4.0
8	FFL (M)	0.61mm
9	BFL (O)	1.31mm
10	For Sensor	BF2557CS
11	F.O.V	Horizontal 18.5°
12		Vertical 14°
13		Diagonal 23°
14	OPT Distortion	<0.56%
15	Relative Ill.	>80%
16	Chief Ray Angle	<29°
17	M.O.D	0.1m~∞
18	Mount Type	M6*P0.35
19	Dimension Figure	Ø8*L8.39mm
20	Lens Structure	6G
21	IR-Filter	Non-IR
22	Waterproof	No
23	Weight	/
24	Iris Operation	Fixed
25	Zoom Operation	Fixed
26	Focus Operation	Manual
27	Operating Temperature	-25° ~+85°
28	Storage Temperature	-25° ~+85°



Scale	Remark	Tolerances	Date	Revsied		福州创安光电科技有限公司 FUZHOU CHUANGAN OPTICS CO., LTD
4: 1	X	±0.2	2026-01-21	CH8172A Rev1.0		
	X.0	±0.15				
Units	X.00	±0.10	Design	Linda	2025-07-08	
	X.000	±0.001	Checked	Anna	2025-09-21	
mm	Angle	±0.05°	Approval	Sanmu	2025-10-25	

