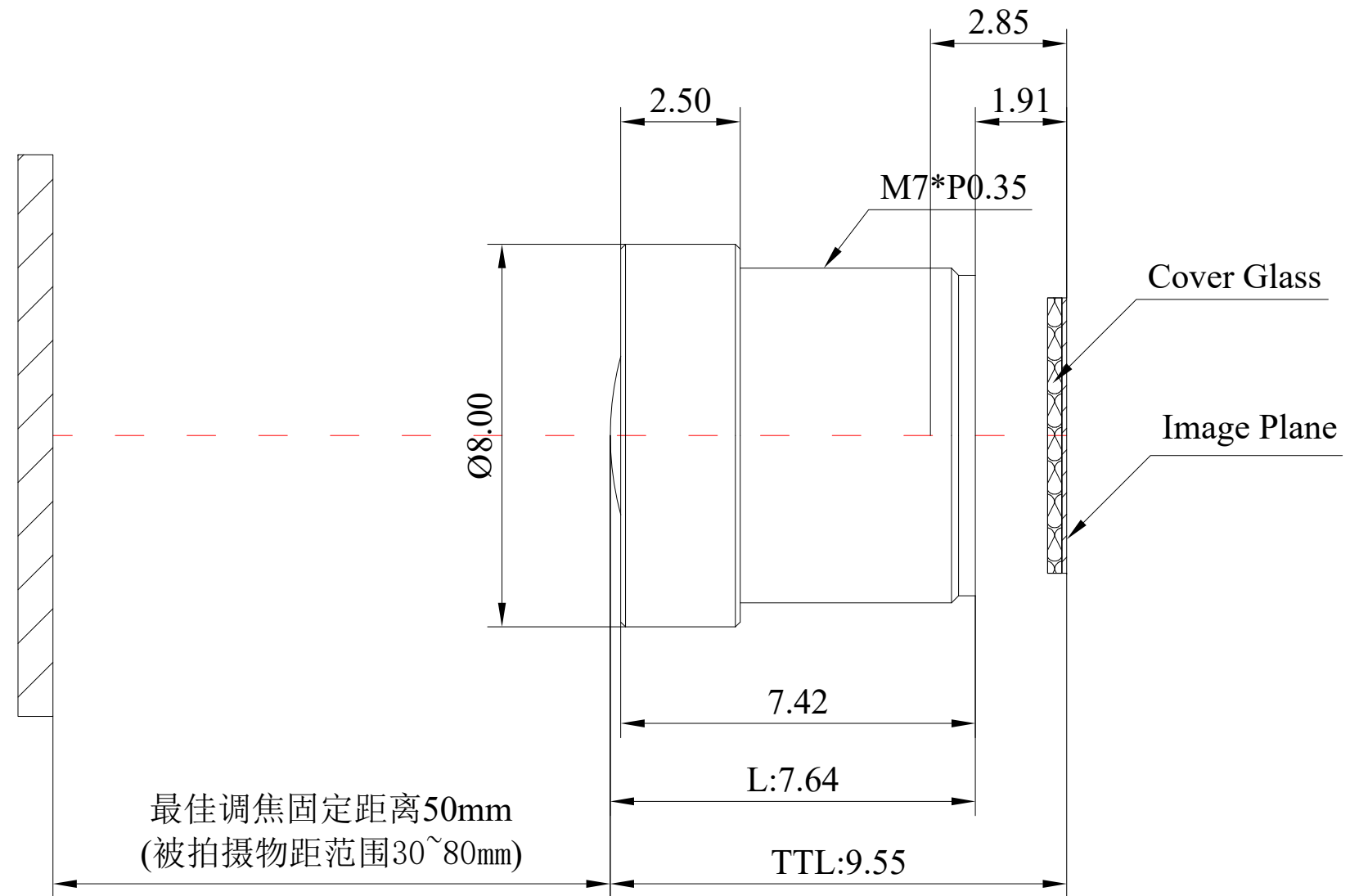


1	Type	Macro Lens	
2	Resolution	5MP	
3	Image Format	1/4"	
4	Image Circle	φ4.8mm(MAX)	
5	EFL	2.42mm	
6	TTL	9.55mm	
7	F/NO.	F2.4	
8	FFL (M)	1.91mm	
9	BFL (O)	2.85mm	
10	For Sensor	OV5640	
11	F.O.V	Horizontal	87°
12		Vertical	65°
13		Diagonal	112°
14	OPT Distortion	<-36.1%	
15	Relative Ill.	/	
16	Chief Ray Angle	<29°	
17	M.O.D	0.05m~∞	
18	Mount Type	M7*P0.35	
19	Dimension Figure	Ø8*L7.64mm	
20	Lens Structure	2G2P	
21	IR-Filter	Non-IR	
22	Waterproof	No	
23	Weight	/	
24	Iris Operation	Fixed	
25	Zoom Operation	Fixed	
26	Focus Operation	Manual	
27	Operating Temperature	-25° ~+85°	
28	Storage Temperature	-25° ~+85°	



Scale	Remark	Tolerances	Date	Revsied		福州创安光电科技有限公司 FUZHOU CHUANGAN OPTICS CO., LTD
4: 1	X	±0.2	2025-09-06	CH8150A Rev1.0		
	X.0	±0.15				
Units	X.00	±0.10	Design	Linda	2025-05-08	
	X.000	±0.001	Checked	Anna	2025-05-21	
mm	Angle	±0.05°	Approval	Sanmu	2025-06-25	

