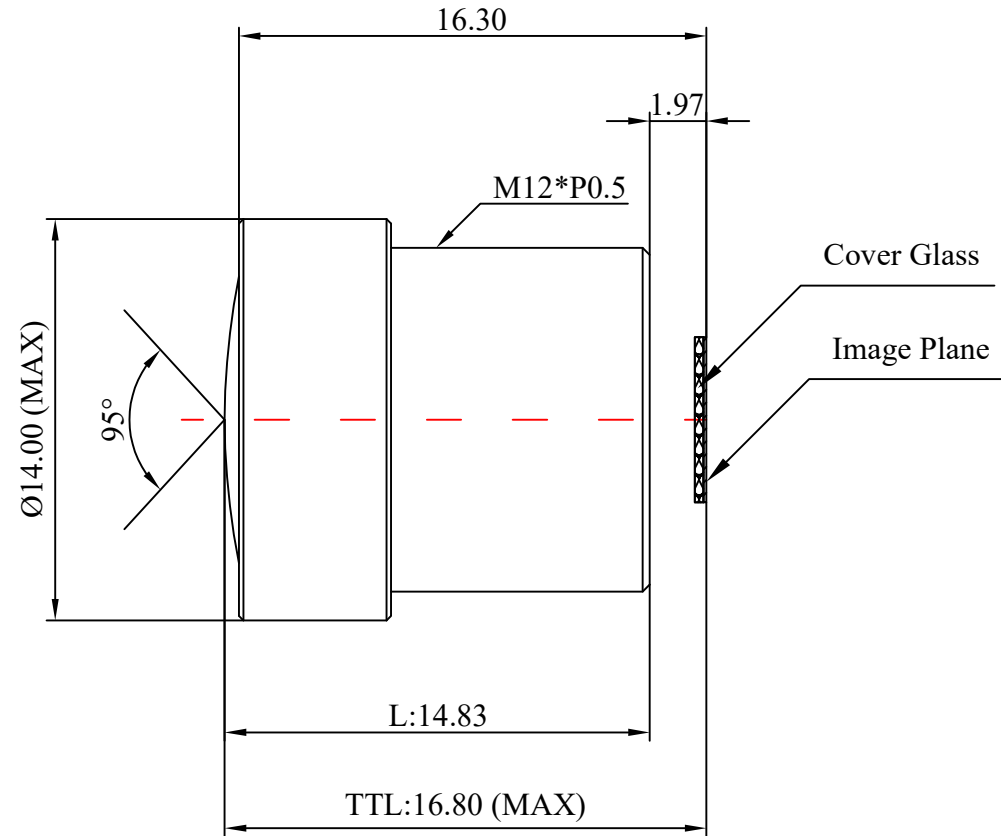




PRODUCT: CH8048A

| | | | |
|----|-----------------------|-----------------|-----|
| 1 | Type | TOF Lens | |
| 2 | Resolution | MP | |
| 3 | Image Format | 1/2" | |
| 4 | Image Circle | φ8.4mm(MAX) | |
| 5 | EFL | 5.3mm | |
| 6 | TTL | 16.80mm | |
| 7 | F/NO. | 1.3 | |
| 8 | FFL (M) | 1.97mm | |
| 9 | BFL (O) | 3.65mm | |
| 10 | For Sensor | EPC660 | |
| 11 | F.O.V | Horizontal | 75° |
| 12 | | Vertical | 55° |
| 13 | | Diagonal | 95° |
| 14 | OPT Distortion | <-30% | |
| 15 | Relative Ill. | >76% | |
| 16 | Chief Ray Angle | <20° | |
| 17 | M.O.D | 0.3m~∞ | |
| 18 | Mount Type | M12*P0.5 | |
| 19 | Dimension Figure | φ14.00*L14.83mm | |
| 20 | Lens Structure | 6G | |
| 21 | IR-Filter | Non-IR | |
| 22 | Waterproof | No | |
| 23 | Weight | --- | |
| 24 | Iris Operation | Fixed | |
| 25 | Zoom Operation | Fixed | |
| 26 | Focus Operation | Manual | |
| 27 | Operating Temperature | -25° ~+85° | |
| 28 | Storage Temperature | -25° ~+85° | |



| Scale | Remark | Tolerances | Date | Revised | | 福州创安光电科技有限公司 FUZHOU CHUANGAN OPTICS CO., LTD |
|-------|--------|------------|------------|----------------|------------|---|
| 4:1 | X | ±0.2 | 2022-12-19 | CH8048A Rev1.0 | | |
| Units | X.00 | ±0.10 | Design | Linda | 2022-12-01 | 3D Angle Projection |
| | X.000 | ±0.001 | Checked | Anna | 2022-12-07 | |
| mm | Angle | ±0.5° | Approval | Sanmu | 2021-12-17 | |