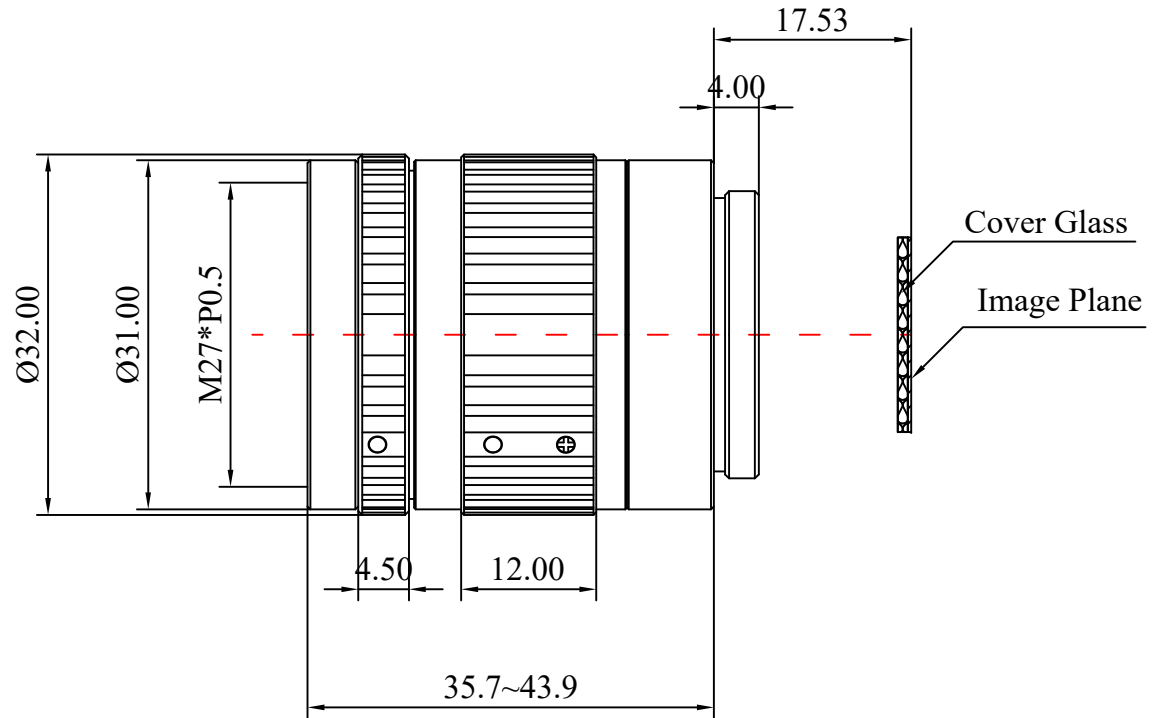
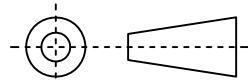


Type		Macro Lens					
EFL		25mm					
F.No		F2.8-16					
Flange Back		17.526mm					
Mount		C-Mount					
O/I		126~314.1mm					
Distartion(TV)		<0.07%					
Iris Operation		Manual					
Zoom Operation		Fixed					
Focus Operation		Manual					
Operating Temperature		-20~60°C					
Storage Temperature		-20~60°C					
Wordking Distance	Optical Magnifcation	F.O.V					
		1.1"(H*V)		1"(H*V)		2/3"(H*V)	
65	-0.4X	35	26	32	24	22	16.5
74.40	-0.35X	40	30	35.6	27.4	25	18
85.40	-0.3X	47	35	42.6	32	29	22
103.40	-0.25X	56	42	51	38	35	26
125.40	-0.2X	70	52.8	64	48	44	33
173.40	-0.15X	93	70	85	64	58.6	44
260.40	-0.1X	140	105	128	96	88	66



Scale	Remark	Tolerances	Date	Revised		福州创安光电科技有限公司 FUZHOU CHUANGAN OPTICS CO., LTD
4:1	X	± 0.2	2024-05-08	CH693A Rev1.0		
	X.0	± 0.15				
Units	X.00	± 0.10	Design	Linda	2024-03-16	 3D Angle Projection
	X.000	± 0.001	Checked	Anna	2024-03-21	
mm	Angle	$\pm 0.5^\circ$	Approval	Sanmu	2024-04-26	