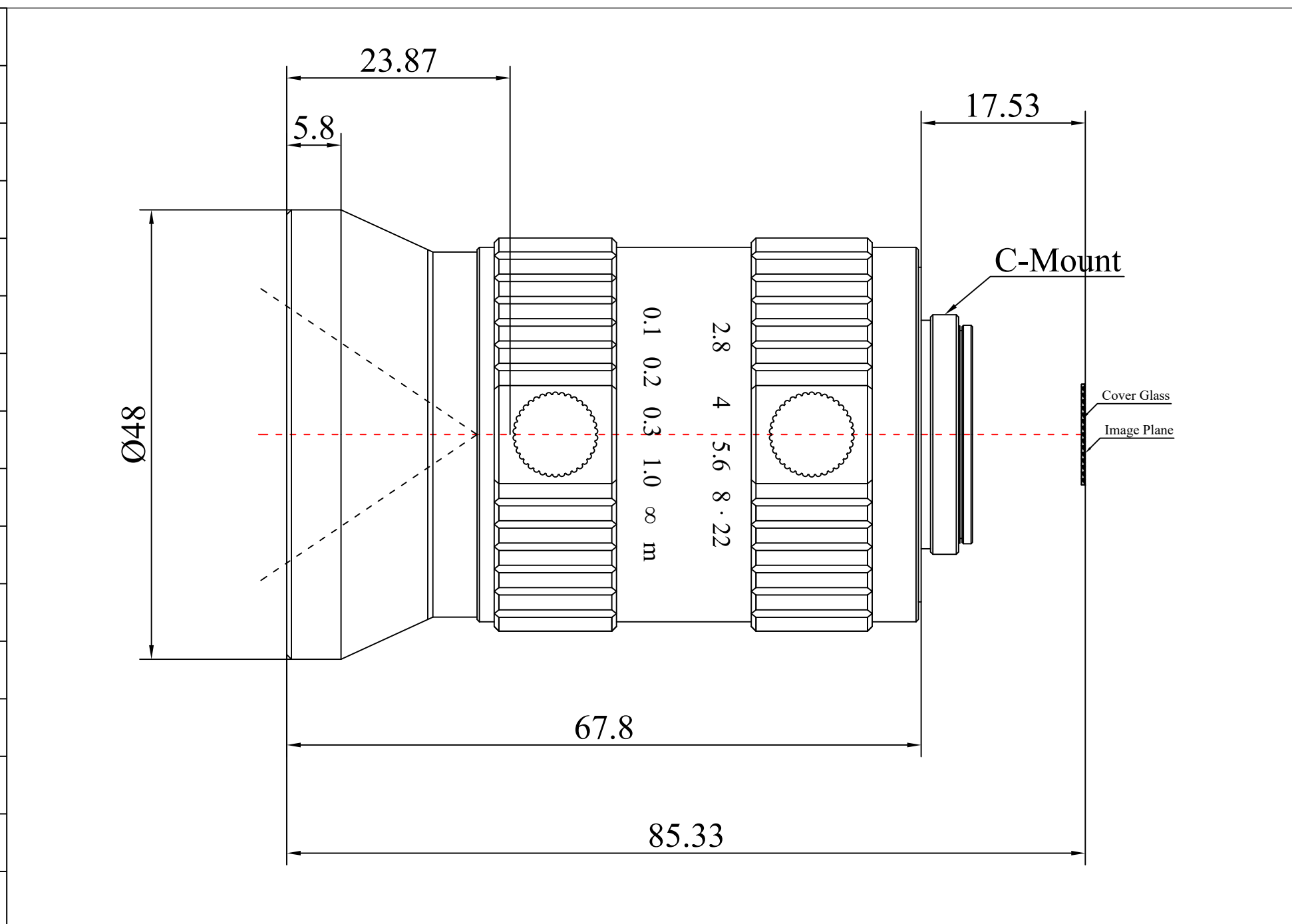
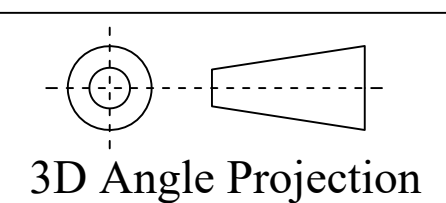


1	Type	Machine vision Lens			
2	EFL	12mm			
3	F.NO	F2.8~16			
4	Resolution	20MP			
5	Image Format	1.1"			
6	BFL (M)	17.53			
7	For Sensor	1.1"	1"	2/3"	
8	F.O.V	Horizontal	57°	54.8°	38.9°
9		Vertical	45°	42.3°	29.6°
10		Diagonal	66.7°	66.1°	47.9°
11	TV Distortion	<1.5%	<1.3%	<1%	
12	M.O.D	0.1m			
13	Mount Type	C/CS			
14	Dimension Figure	φ48.00*L67.8			
15	Filter Size	---			
16	Weight	---			



17	Iris Operation	Manual	Scale	Remark	Tolerances	Date	Revised		福州创安光电科技有限公司 FUZHOU CHUANGAN OPTICS CO., LTD
18	Zoom Operation	Fixed		1.5 : 1	X	±0.2	2021-01-15	CH602A Rev1.0	
19	Focus Operation	Manual	Units		X.0	±0.15		Linda	
20	Operating Temperature	-20° +85°		mm	X.000	±0.001		Anna	2016-05-07
21	Storage Temperature	-20° +85°			Angle	±0.5°		Sanmu	2016-05-28


3D Angle Projection