



A

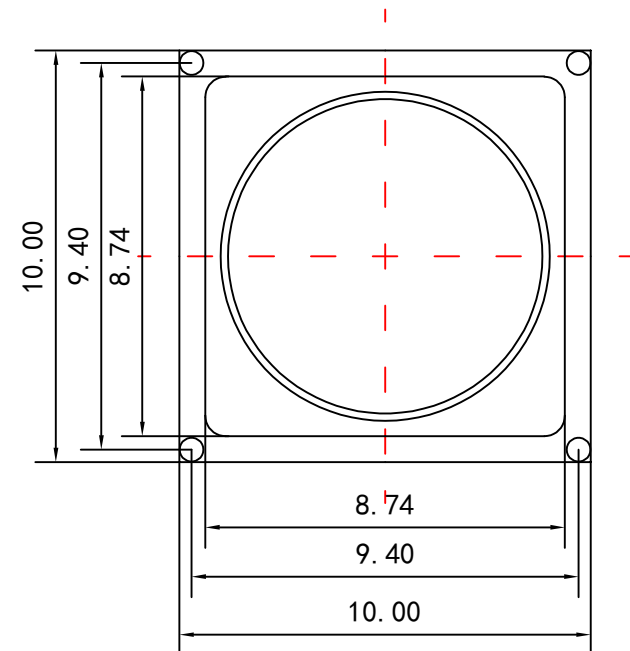
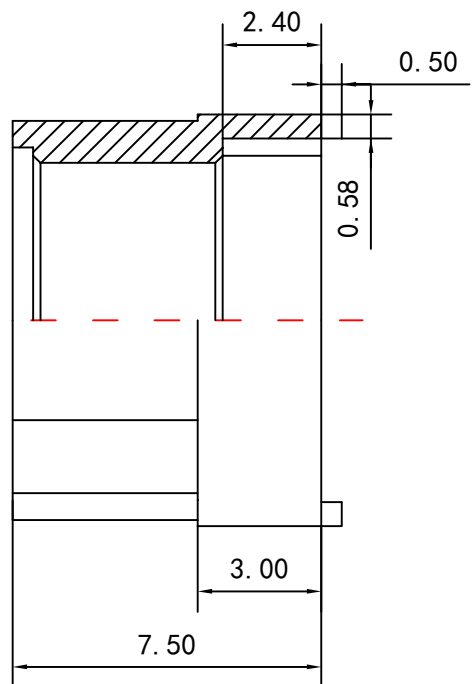
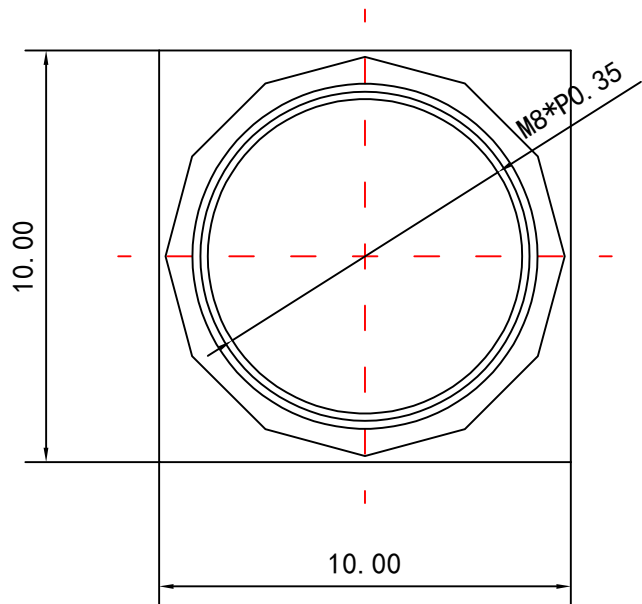
B

C

D

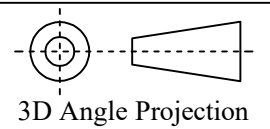
E

F



1	Product No.	CH5301A	Scale	Remark	Tolerances	Date	Revised	
2	Material Type	PC+纤		X	± 0.2	2019-02-28	CH5301A Rev1.0	
3	Operating Temperature	-20° ~+85°		X.0	± 0.15			
4	Storage Temperature	-20° ~+85°	Units	X.00	± 0.10	Design	Linda	2019-02-23
5	Adaptable Products	---		X.000	± 0.001	Checked	Anna	2019-02-25
6		---	mm	Angle	± 0.5°	Approval	Sanmu	2019-02-26

福州创安光电科技有限公司
FUZHOU CHUANGAN OPTICS CO., LTD



1 2 3 4 5 6 7 8 9