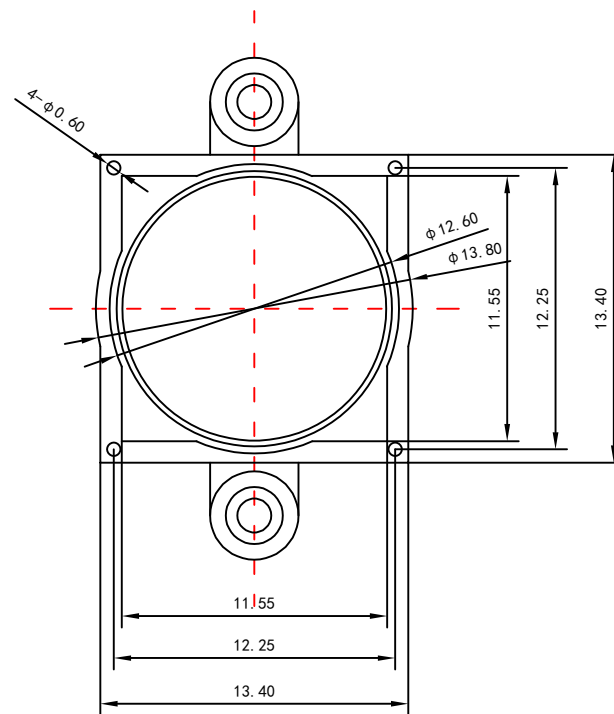
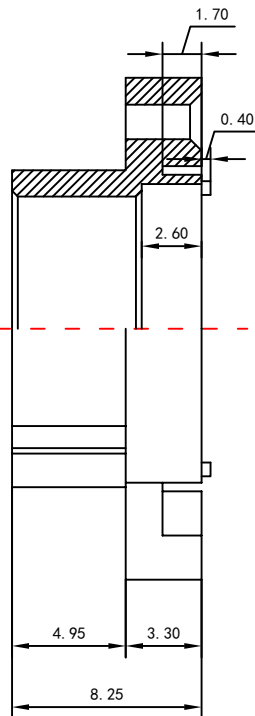
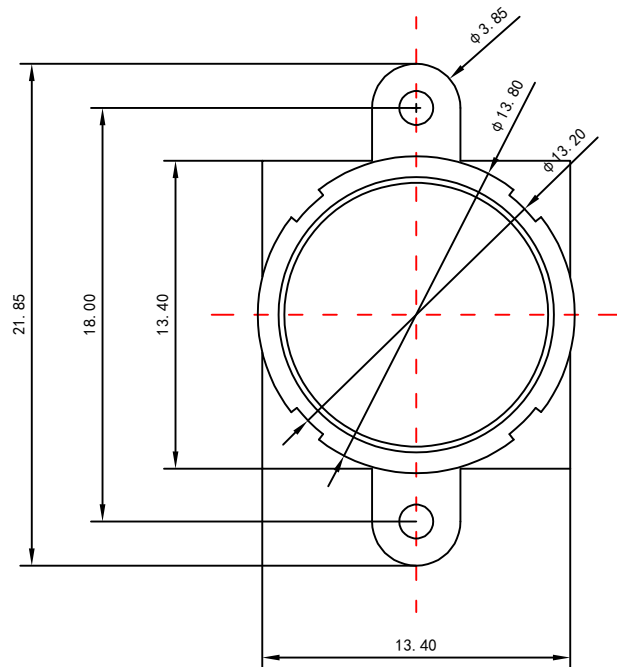




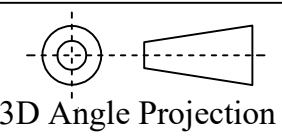
A
B
C
D
E
F

A
B
C
D
E
F



1	Product No.	CH5120A	Scale	Remark	Tolerances	Date	Revised	
2	Material Type	LCP		X	± 0.2	2019-08-26	CH5120A Rev1.0	
3	Operating Temperature	-20° ~ +85°	4: 1	X.0	± 0.15			
4	Storage Temperature	-20° ~ +85°	Units	X.00	± 0.10	Design	Linda	2016-06-23
5	Adaptable Products	---		X.000	± 0.001	Checked	Anna	2016-09-17
6		---	mm	Angle	± 0.5°	Approval	Sanmu	2016-10-25

福州创安光电科技有限公司
FUZHOU CHUANGAN OPTICS CO., LTD



1 2 3 4 5 6 7 8 9