



A

B

C

D

E

A

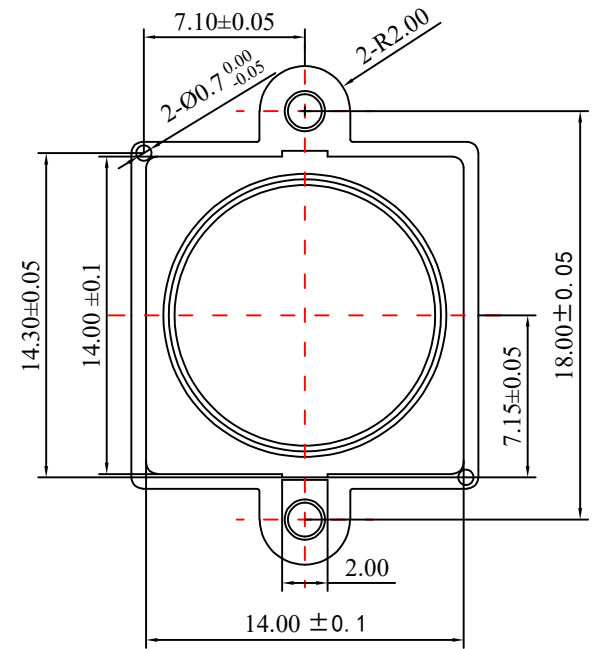
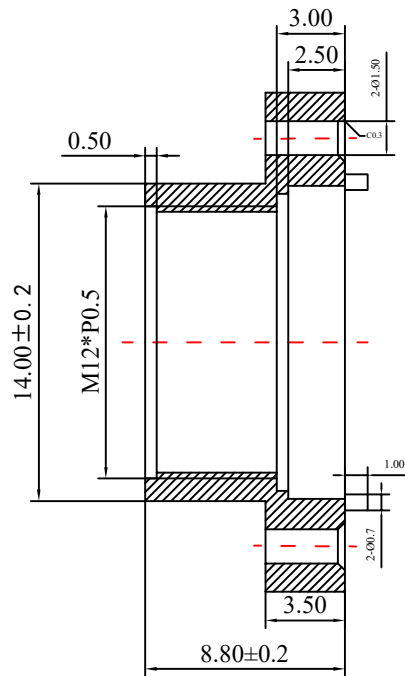
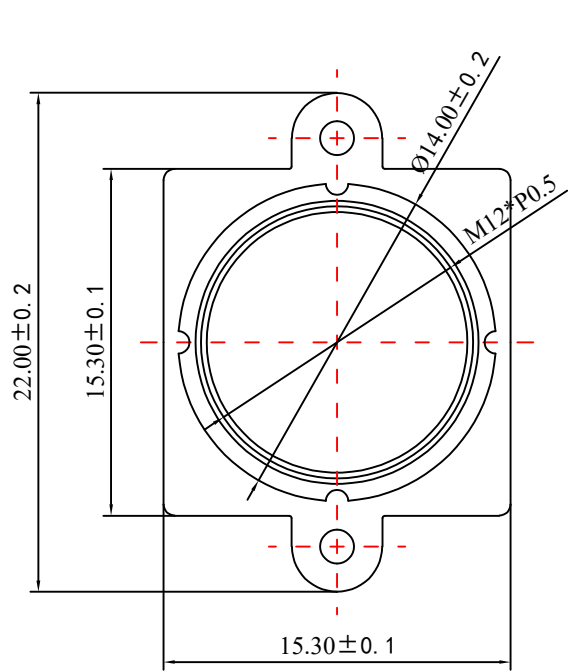
B

C

D

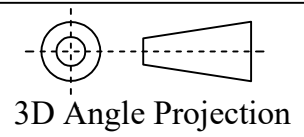
E

F



1	Product No.	CH5117A	Scale	Remark	Tolerances	Date	Revised	
2	Material Type	LCP		X	± 0.2	2019-08-21	CH5117A Rev1.0	
3	Operating Temperature	-20° ~ +85°	4: 1	X.0	± 0.10			
4	Storage Temperature	-20° ~ +85°	Units	X.00	± 0.05	Design	Linda	2015-06-23
5	Adaptable Products	---		X.000	± 0.001	Checked	Anna	2015-09-12
6		---	mm	Angle	± 0.5°	Approval	Sanmu	2015-10-10

福州创安光电科技有限公司  
FUZHOU CHUANGAN OPTICS CO., LTD



1 2 3 4 5 6 7 8 9