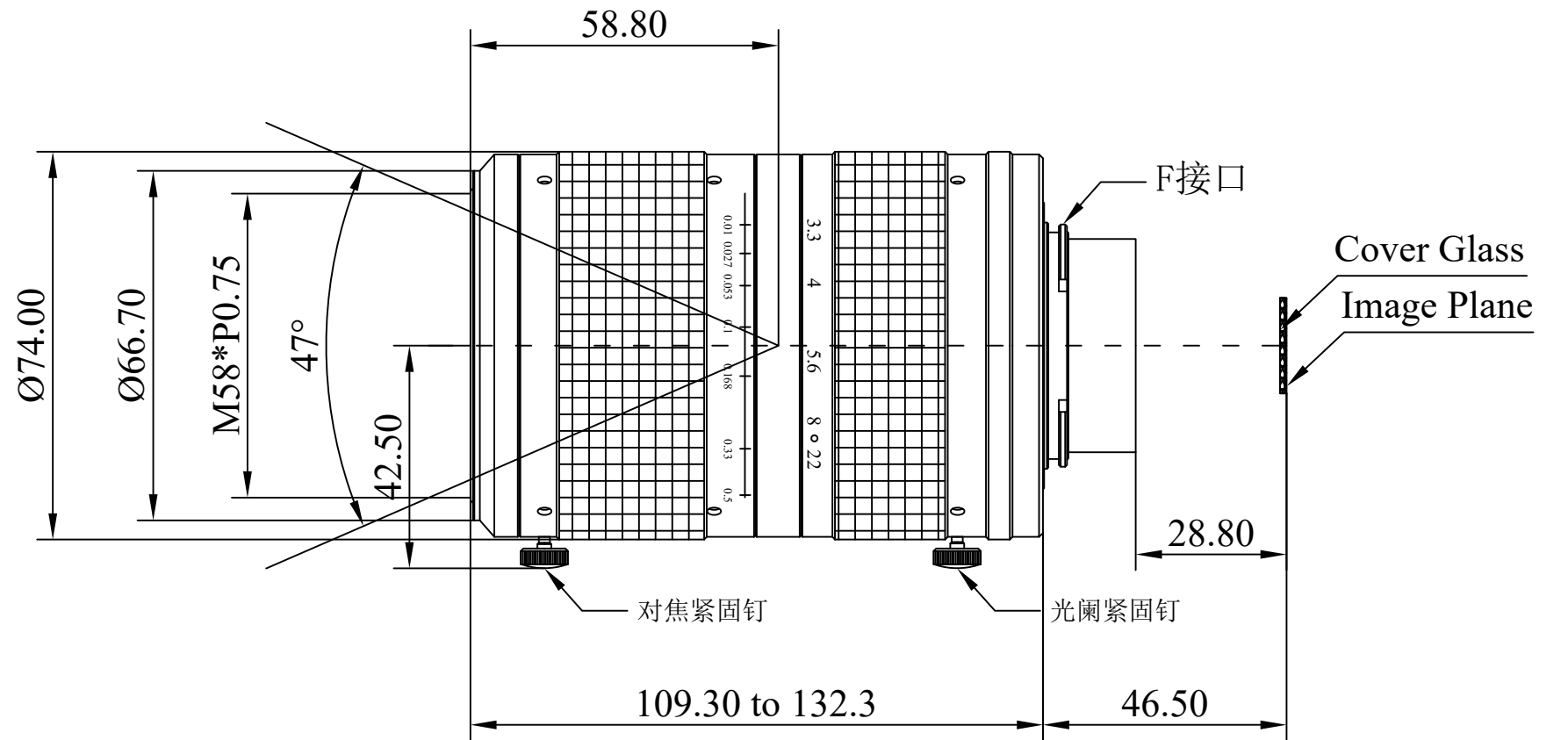


| | | | | | | | | |
|----|-----------------------|------|------------------|--------|-------|--------|--------|--------|
| 1 | Type | | Telecentric Lens | | | | | |
| 2 | Resolution | | 120MP | | | | | |
| 3 | Image Format | | Full Frame | | | | | |
| 4 | Max Image | | Ø48.0mm | | | | | |
| 5 | EFL | | 50mm | | | | | |
| 6 | F.No | | F3.3-22 | | | | | |
| 7 | Magnification | 0.5X | 0.33X | 0.168X | 0.1X | 0.053X | 0.027X | 0.01X |
| 8 | WD | 85 | 140.9 | 299 | 517.8 | 999 | 1999 | 5380.4 |
| 9 | F.O.V | | 47° | | | | | |
| 10 | ENP Diameter | | Ø13.7mm | | | | | |
| 11 | TV Distortion | | <0.02% | | | | | |
| 12 | Mount | | F-Mount | | | | | |
| 13 | Dimensions | | Ø74.0*L132.3mm | | | | | |
| 14 | Weight | | --- | | | | | |
| 15 | Iris Operation | | Manual | | | | | |
| 16 | Zoom Operation | | Fixed | | | | | |
| 17 | Focus Operation | | Manual | | | | | |
| 18 | Operating Temperature | | -20°~+85° | | | | | |
| 19 | Storage Temperature | | -20°~+85° | | | | | |



| Scale | Remark | Tolerances | Date | Revised | | 福州创安光电科技有限公司 FUZHOU CHUANGAN OPTICS CO., LTD |
|-------|--------|------------|------------|----------------|------------|---|
| 4:1 | X | ±0.2 | 2024-02-20 | CH4000A Rev1.0 | | |
| | X.0 | ±0.15 | | | | |
| Units | X.00 | ±0.10 | Design | Linda | 2023-03-14 | |
| | X.000 | ±0.001 | Checked | Anna | 2023-04-26 | |
| mm | Angle | ±0.5° | Approval | Sanmu | 2023-06-15 | |

