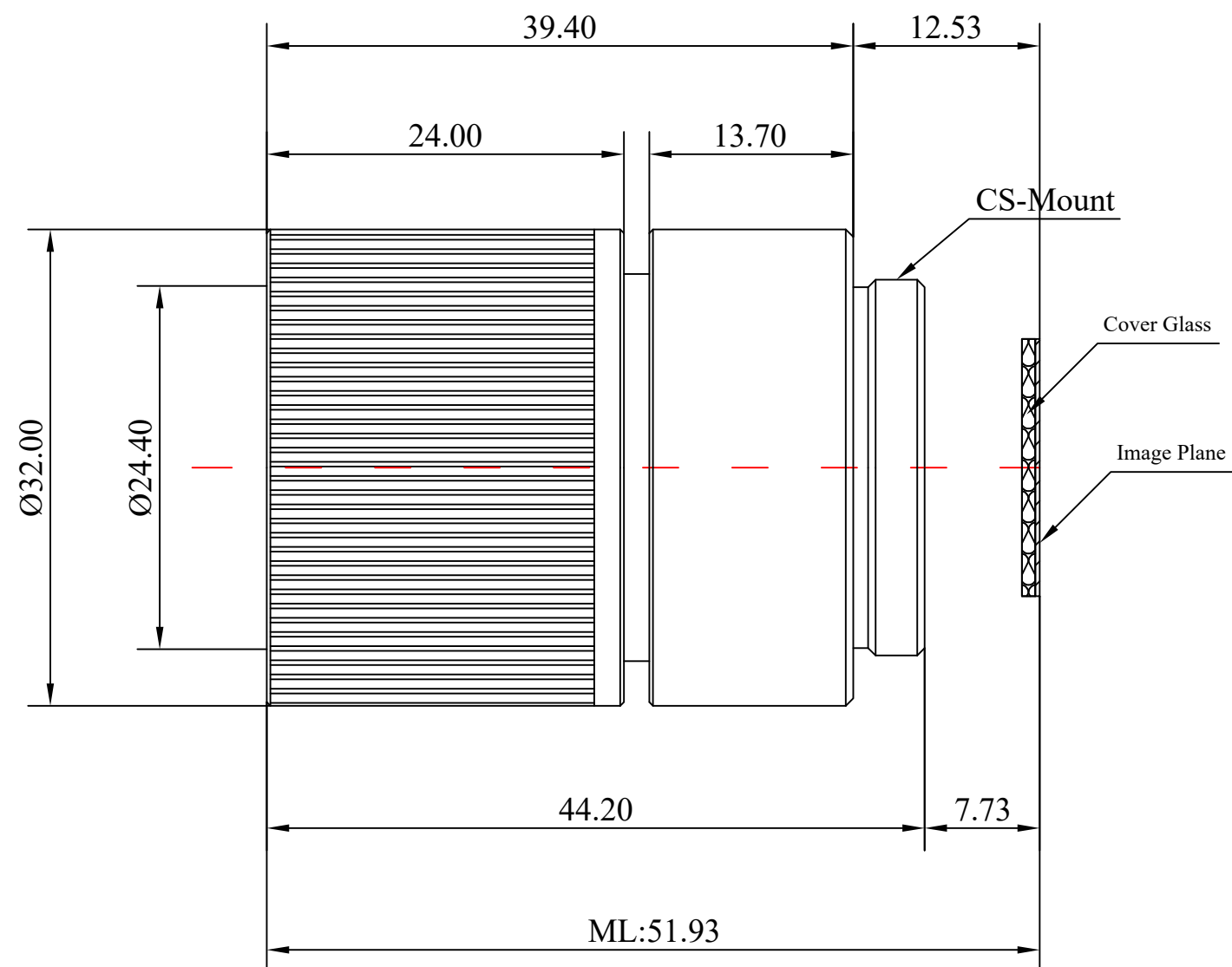
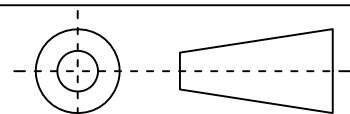


1	Type	Objective Lens		
2	Resolution	3MP		
3	Image Format	1/1.8"		
4	Image Circle	Ø9.0mm (Max)		
5	EFL	50mm		
6	TTL	51.7mm		
7	F/NO.	F1.4		
8	FFL (M)	7.73mm		
9	BFL (O)	15.9mm		
10	For Sensor	1/1.8"	1/2.7"	
11	F.O.V	Horizontal	8°	6.5°
12		Vertical	5°	3.8°
13		Diagonal	10°	7.5°
14	TV Distortion	<-0.3%		
15	Chief Ray Angle	<5.5°		
16	M.O.D	0.2m~∞		
17	Mount Type	CS-Mount		
18	Dimension Figure	Ø32.0mm*44.2mm		
19	Lens Structure	4E4G		
20	IR Sensitive	Yes		
21	Waterproof	No		
22	Weight	74g		
23	Iris Operation	Fixed		
24	Zoom Operation	Fixed		
25	Focus Operation	Manual		
26	Operating Temperature	-20° ~+80°		
27	Storage Temperature	-20° ~+80°		



Scale	Remark	Tolerances	Date	Revised		福州创安光电科技有限公司 FUZHOU CHUANGAN OPTICS CO., LTD
4: 1	X	± 0.2	2023-06-08	CH3889A Rev1.0		
	X.0	± 0.15				
Units	X.00	± 0.10	Design	Linda	2023-03-11	 3D Angle Projection
	X.000	± 0.001	Checked	Anna	2023-04-12	
mm	Angle	± 0.5°	Approval	Sanmu	2023-06-05	