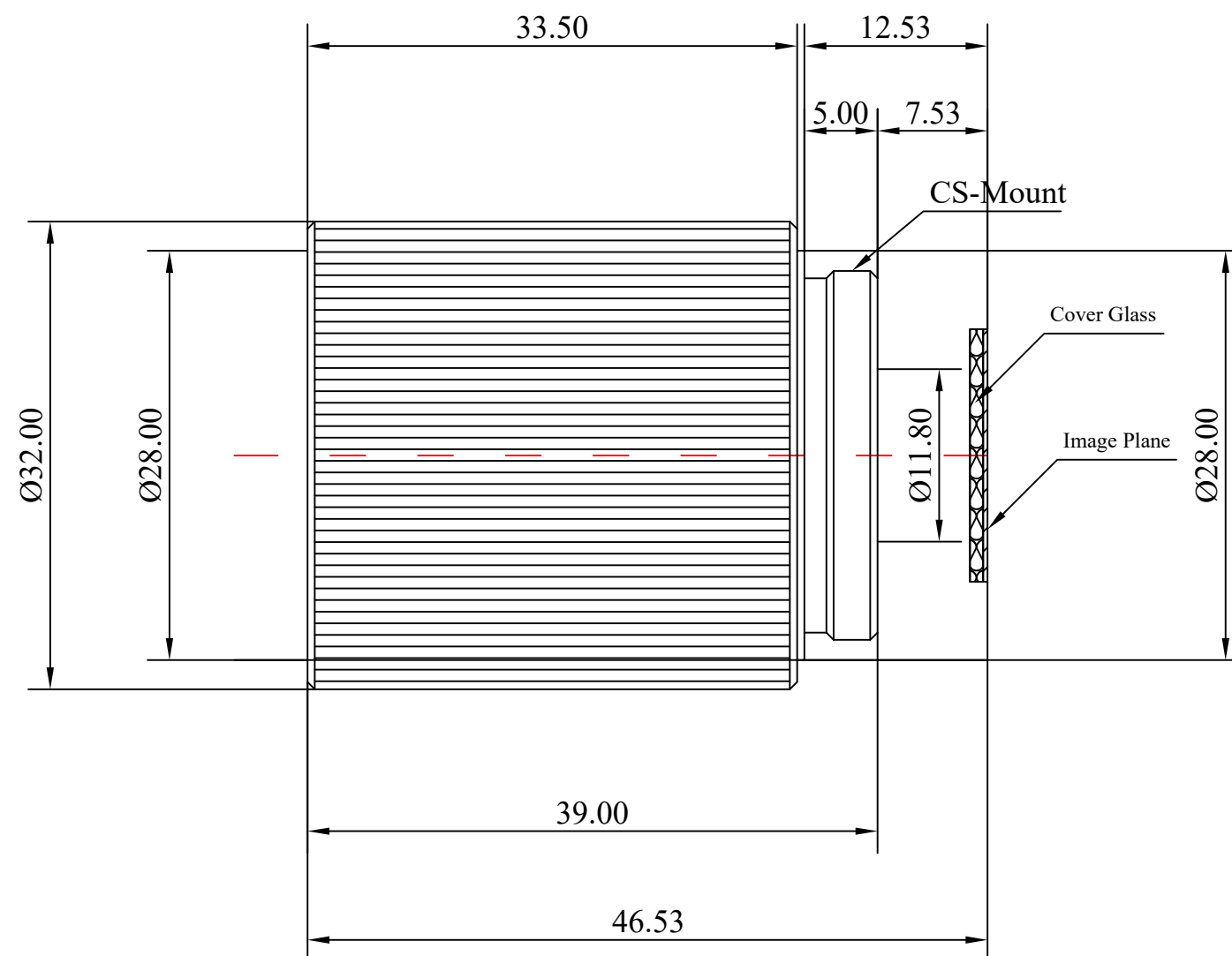
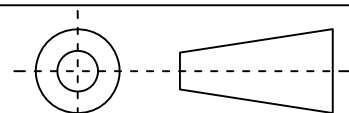


1	Type	Objective Lens	
2	Resolution	3MP	
3	Image Format	1/2.5"	
4	Image Circle	Ø7.2mm (Max)	
5	EFL	16mm	
6	TTL	37mm	
7	F/NO.	F1.2	
8	FFL (M)	7.53mm	
9	BFL (O)	14.5mm	
10	For Sensor	1/2.5"	1/2.7"
11	F.O.V	Horizontal	21°
12		Vertical	15.4°
13		Diagonal	23.6°
14	TV Distortion	<-0.5%	<-0.4%
15	Chief Ray Angle	---	
16	M.O.D	0.2m~∞	
17	Mount Type	CS-Mount	
18	Dimension Figure	Ø32.0mm*39.0mm	
19	Lens Structure	4E4G	
20	IR Sensitive	Yes	
21	Waterproof	No	
22	Weight	48g	
23	Iris Operation	Fixed	
24	Zoom Operation	Fixed	
25	Focus Operation	Manual	
26	Operating Temperature	-20° ~+80°	
27	Storage Temperature	-20° ~+80°	



Scale	Remark	Tolerances	Date	Revised		福州创安光电科技有限公司 FUZHOU CHUANGAN OPTICS CO., LTD
4: 1	X	± 0.2	2023-06-08	CH3886A Rev1.0		
	X.0	± 0.15				
Units	X.00	± 0.10	Design	Linda	2023-03-11	 3D Angle Projection
	X.000	± 0.001	Checked	Anna	2023-04-12	
mm	Angle	± 0.5°	Approval	Sanmu	2023-06-05	