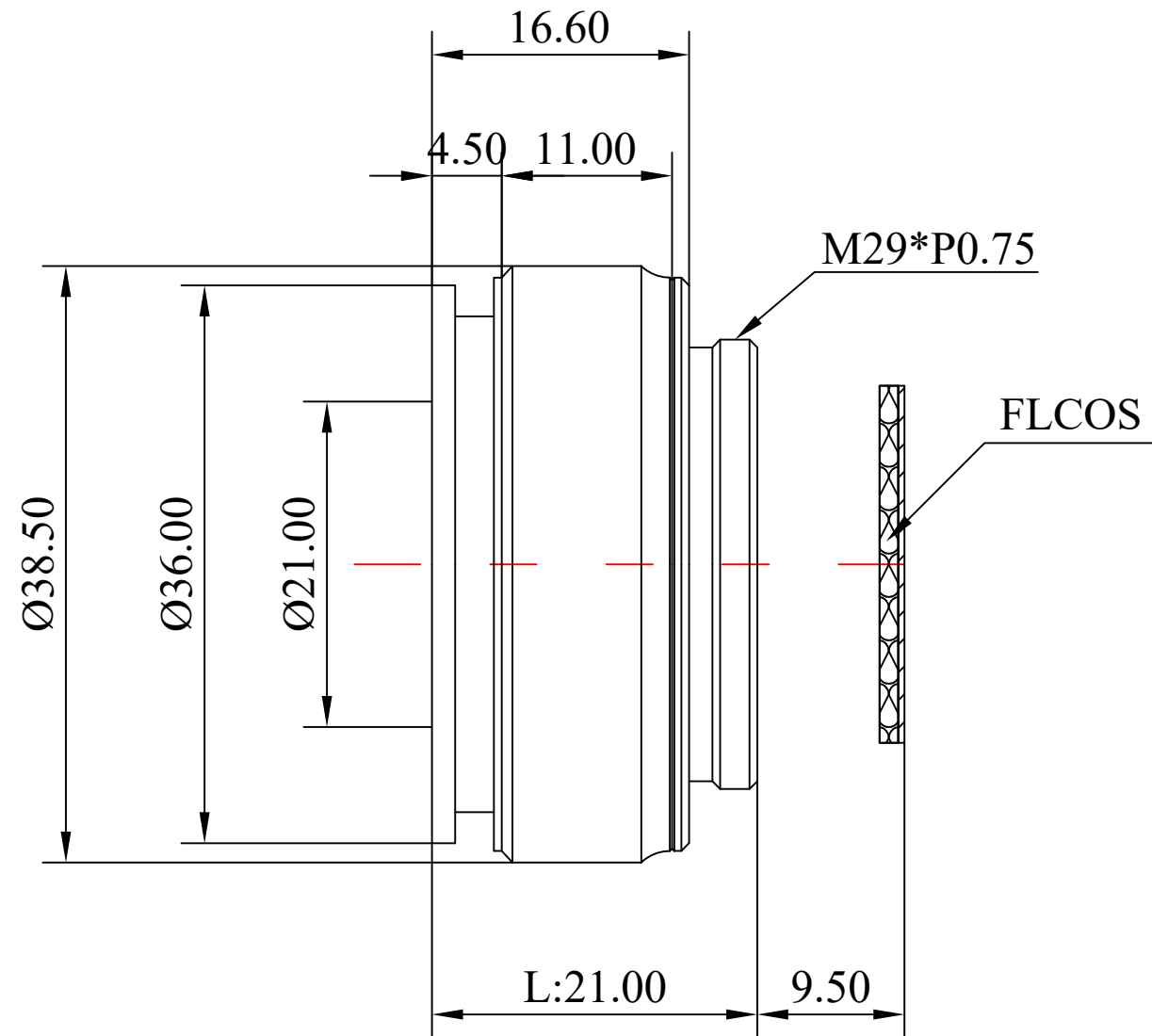
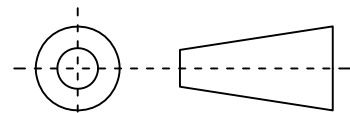


1	Type	Eyepiece
2	Applicable screen	0.37"—0.4" FLCOS
3	Entrance pupil diameter	6mm
4	Magnification	12.5X
5	Adjust to	-500, +300
6	Exit pupil distance	30mm
7	Optical distortion	<-1%
8	Dimension	Φ38.5*21mm
9	MBF	9.5mm
10	BFL	12.5mm
11	Weight	48.5g
12	Mount Type	M29*P0.75
13	Lens Construction	Metallic+Glass
14	Iris Operation	Fixed
15	Zoom Operation	Fixed
16	Focus Operation	Manual
17	Operating Temperature	-20~+80°C
18	Storage Temperature	-20~+80°C



Scale	Remark	Tolerances	Date	Revised		福州创安光电科技有限公司 FUZHOU CHUANGAN OPTICS CO., LTD
4:1	X	±0.2	2023-05-05	CH3882A Rev1.0		
Units	X.0	±0.15	Design	Linda	2023-02-18	 3D Angle Projection
	X.000	±0.001	Checked	Anna	2023-04-03	
mm	Angle	±0.5°	Approval	Sanmu	2023-05-06	