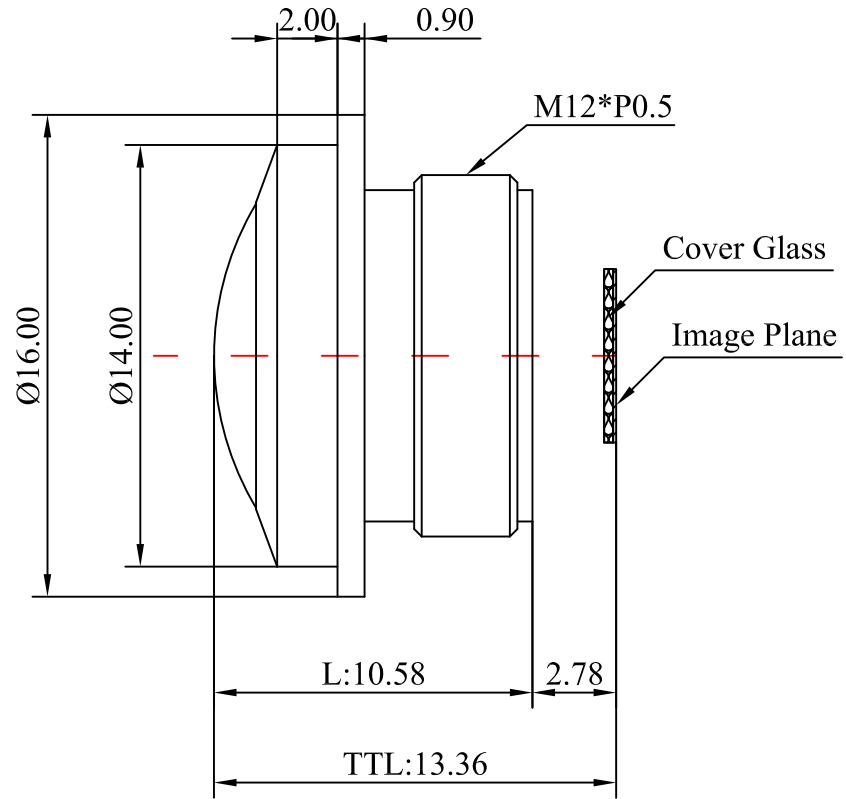
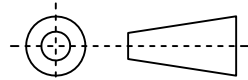


1	Type	Fisheye Lens	
2	Resolution	5MP	
3	Image Format	1/2.9"	
4	Image Circle	φ6.3mm(MAX)	
5	EFL	1.83mm	
6	TTL	13.36mm	
7	F/NO.	2.0	
8	FFL (M)	2.78mm	
9	BFL (O)	3.21mm	
10	For Sensor	GC2053	
11	F.O.V	Horizontal	170°@5.37mm
12		Vertical	94°@3.02mm
13		Diagonal	202°@6.18mm
14	F-Theta Distortion	<-8%	
15	Relative Ill.	>50%	
16	Chief Ray Angle	<19°	
17	M.O.D	0.1m~∞	
18	Mount Type	M12*P0.5	
19	Dimension Figure	φ16.00*L10.58mm	
20	Lens Structure	4G2P	
21	IR-Filter	IR650nm	
22	Waterproof	IP69K	
23	Weight	---	
24	Iris Operation	Fixed	
25	Zoom Operation	Fixed	
26	Focus Operation	Manual	
27	Operating Temperature	-40° ~+85°	
28	Storage Temperature	-40° ~+85°	



Scale	Remark	Tolerances	Date	Revised		福州创安光电科技有限公司 FUZHOU CHUANGAN OPTICS CO., LTD
4:1	X	±0.2	2024-03-18	CH3877CB Rev1.0		
Units	X.00	±0.10	Design	Linda	2022-02-16	 3D Angle Projection
	X.000	±0.001	Checked	Anna	2022-03-24	
mm	Angle	±0.5°	Approval	Sanmu	2022-04-03	