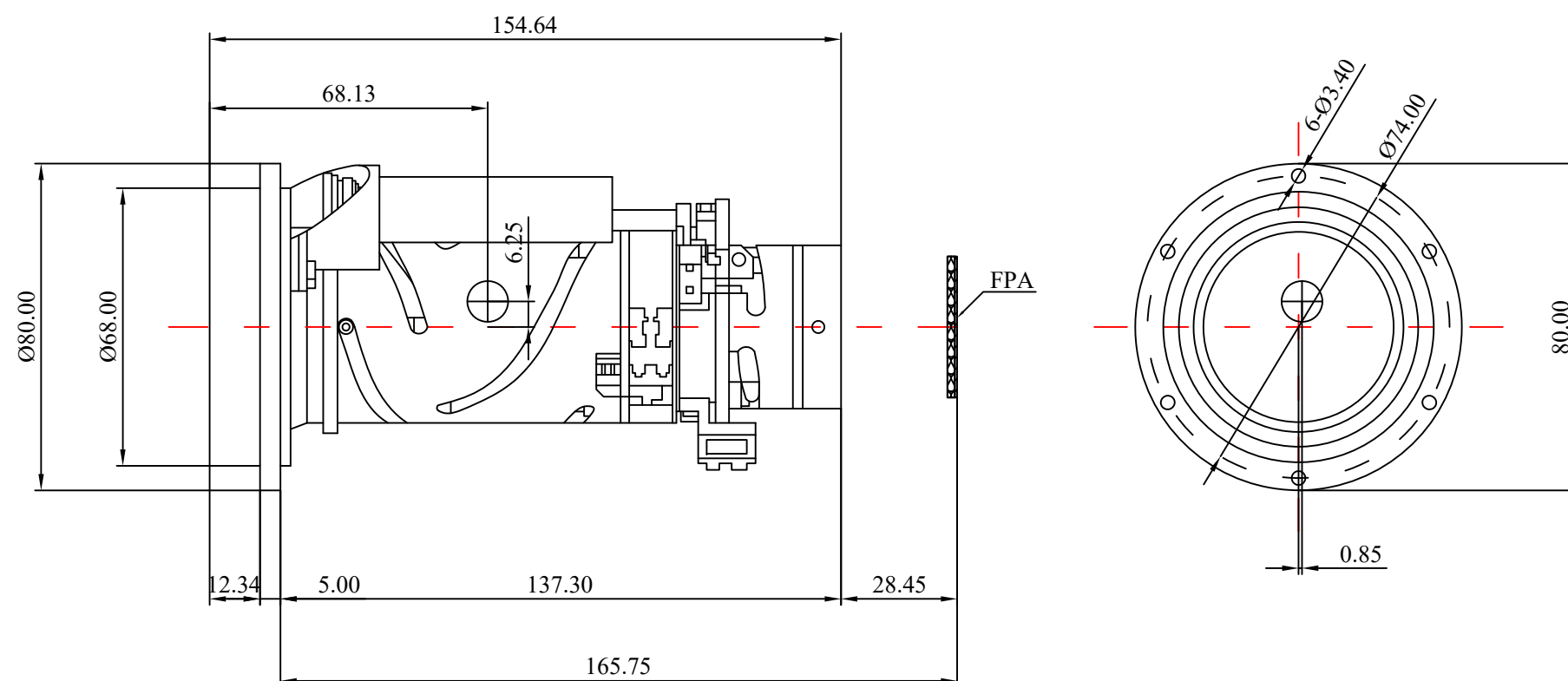


1	Type	LWIR Lens	
2	Image Format	640*512(15um)	
3	Image Circle	---	
4	EFL	30~180mm	
5	F/No.	F4.0	
6	FFL	---	
7	BFL	28.45	
8	Detector	640*512(15um)	
9	F.O.V	Horizontal	18.18°~3.06°
10		Vertical	14.59°~2.4°
11		Diagonal	---
12	Wavelength	7.7~12um	
13	Coating	AR	
14	Transmission	>83%	
15	M.O.D	3m~∞/20m~∞	
16	Interface	Flange	
17	Dimension	Ø80*L155mm	
18	Surface Treatment	Black Anodized	
19	Material (housing)	Aluminum Alloy	
20	IP Rating	IP67	
21	Weight	0.7kg	
22	Focus Operation	Electric	
23	Operating Temperature	-40°C~+60°C	
24	Storage Temperature	-40°C ~+60°C	



Scale	Remark	Tolerances	Date	Revised		福州创安光电科技有限公司 FUZHOU CHUANGAN OPTICS CO., LTD
4:1	X	±0.2	2023-05-09	CH3875A Rev1.0		
	X.0	±0.15				
Units	X.00	±0.10	Design	Linda	2023-03-18	
	X.000	±0.001	Checked	Anna	2023-04-19	
mm	Angle	±0.5°	Approval	Sanmu	2023-05-06	

