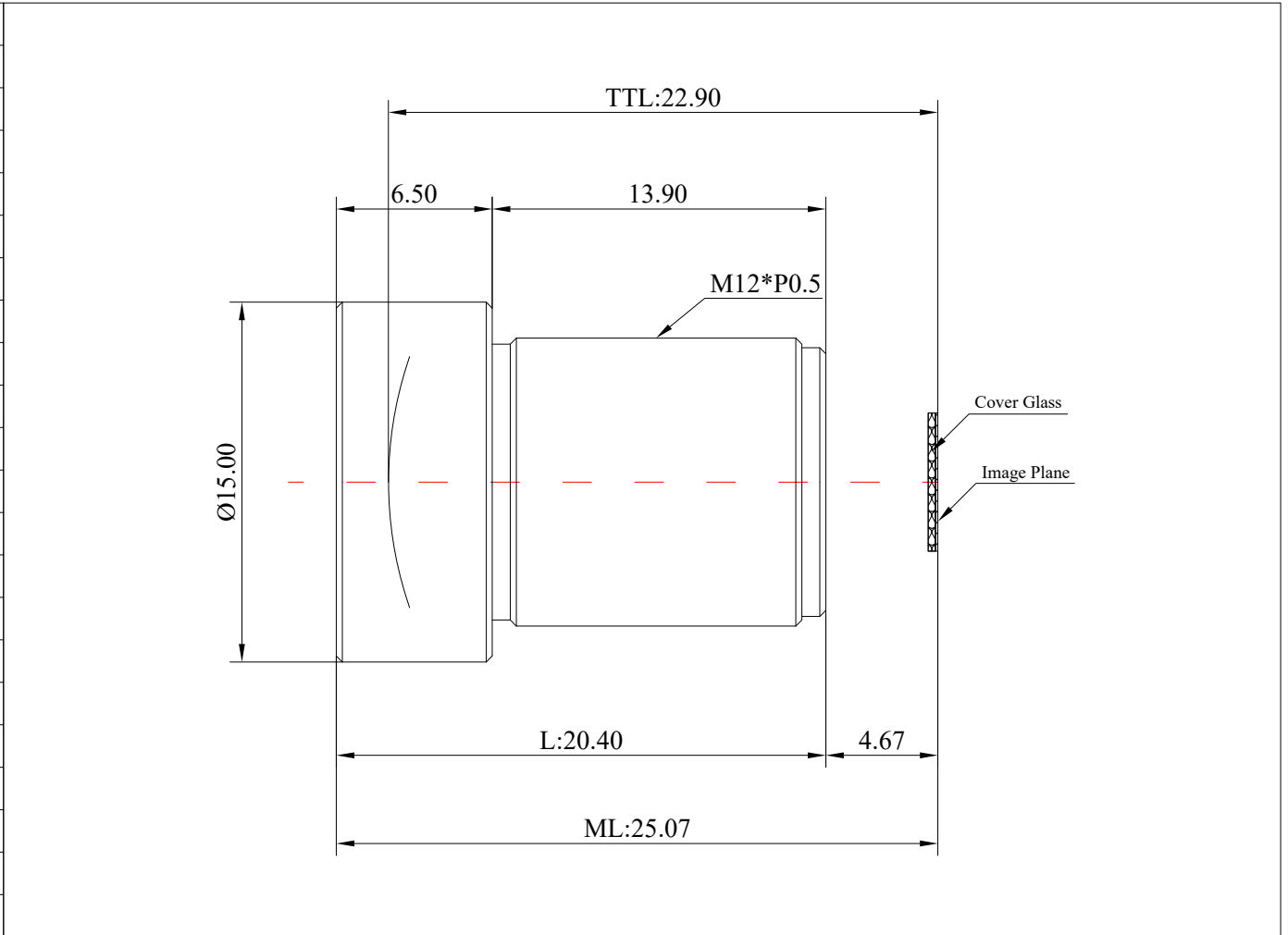


1	Type	Low Distortion Lens		
2	Resolution	8MP		
3	Image Format	1/1.8"		
4	Image Circle	φ8.8mm(MAX)		
5	EFL	12mm		
6	ML	25.07mm		
7	F/NO.	2.0		
8	FFL (M)	4.67mm		
9	BFL (O)	5.64mm		
10	For Sensor	1/1.8"	1/2"	
11	F.O.V	Horizontal	33.9°	30.2°
12		Vertical	25.6°	22.8°
13		Diagonal	41.9°	37.6°
14	OPT Distortion	<-2%		
15	Relative Ill.	>45%		
16	Chief Ray Angle	<8.3°		
17	M.O.D	0.15m~∞		
18	Mount Type	M12*P0.5		
19	Dimension Figure	φ15.00*L20.4mm		
20	Lens Structure	6G		
21	IR-Filter	Non-IR		
22	Waterproof	No		
23	Weight	6.1g		
24	Iris Operation	Fixed		
25	Zoom Operation	Fixed		
26	Focus Operation	Manual		
27	Operating Temperature	-20° ~+85°		
28	Storage Temperature	-20° ~+85°		



Scale	Remark	Tolerances	Date	Revised		福州创安光电科技有限公司 FUZHOU CHUANGAN OPTICS CO., LTD
4:1	X	±0.2	2023-04-07	CH3836A Rev1.0		
	X.0	±0.15				
Units	X.00	±0.10	Design	Linda	2023-03-16	
	X.000	±0.001	Checked	Anna	2023-03-24	
mm	Angle	±0.5°	Approval	Sanmu	2023-03-29	

