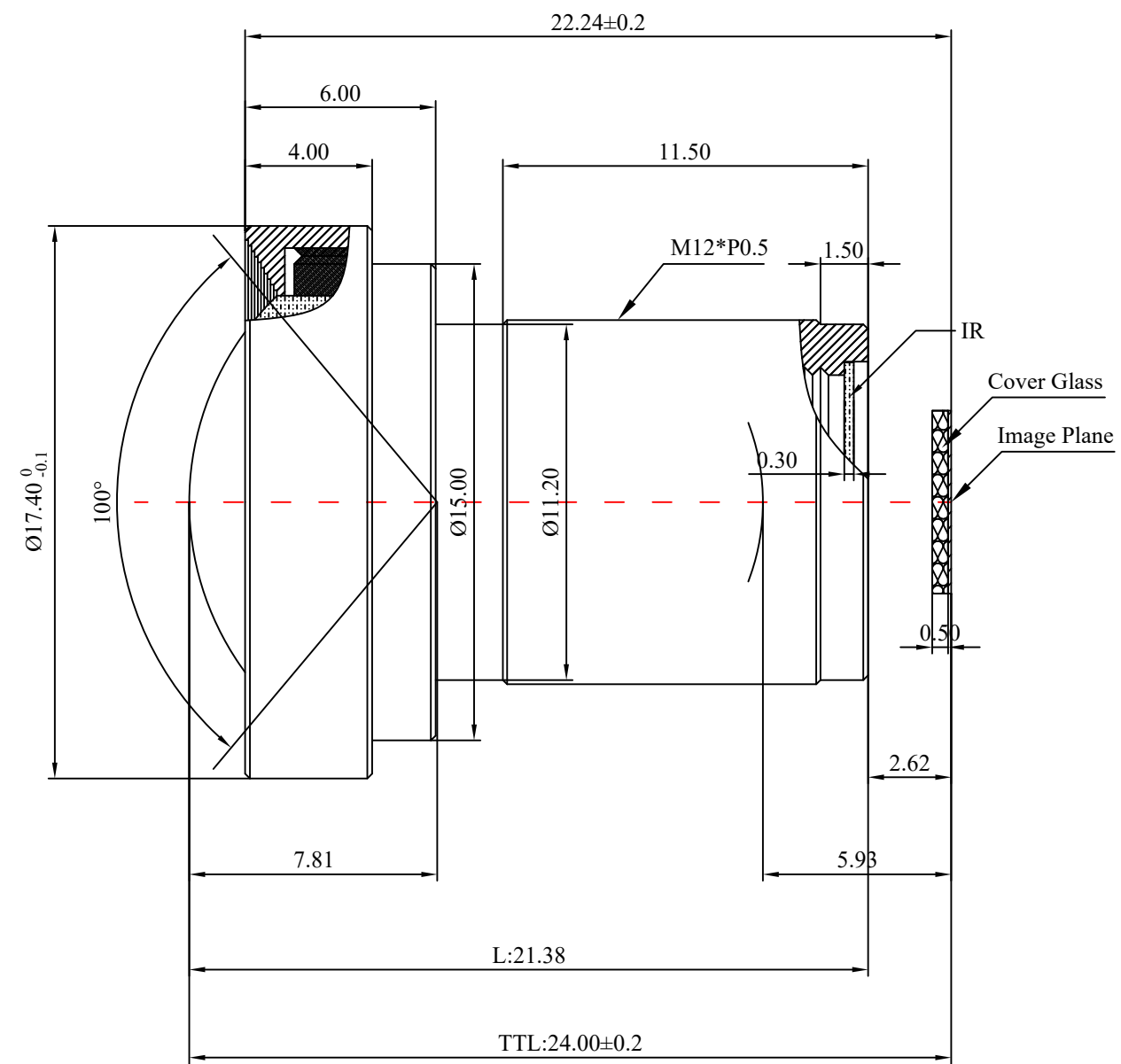
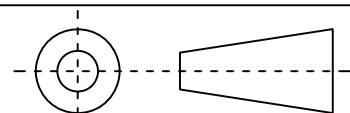


1	Type	Low Distortion Lens	
2	Resolution	16MP	
3	Image Format	1/2.3" & 1/2.5"	
4	Image Circle	φ8.0mm(MAX)	
5	EFL	2.7mm	
6	TTL	24.00mm	
7	F/NO.	2.8	
8	FFL (M)	2.62mm	
9	BFL (O)	5.93mm	
10	For Sensor	IMX274	IMX377
11	F.O.V	Horizontal	85°
12		Vertical	55°
13		Diagonal	95°
14	TV Distortion	<-1%	<-1.5%
15	Relative Ill.	>78%	>79%
16	Chief Ray Angle	<10°	<10.2°
17	M.O.D	0.1m~∞	
18	Mount Type	M12*P0.5	
19	Dimension Figure	φ17.4*L21.38mm	
20	Lens Structure	4G+2GM	
21	IR-Filter	T = 50%&IR650±10nm	
22	Weight	6.9g	
23	Iris Operation	Fixed	
24	Zoom Operation	Fixed	
25	Focus Operation	Manual	
26	Operating Temperature	-20° ~+85°	
27	Storage Temperature	-20° ~+85°	



Scale	Remark	Tolerances	Date	Revised		福州创安光电科技有限公司 FUZHOU CHUANGAN OPTICS CO., LTD
4: 1	X	± 0.2	2017-09-04	CH3807AB Rev1.0		
	X.0	± 0.15				
Units	X.00	± 0.10	Design	Linda	2017-06-11	 3D Angle Projection
	X.000	± 0.001	Checked	Anna	2017-08-12	
mm	Angle	± 0.5°	Approval	Sanmu	2017-08-15	