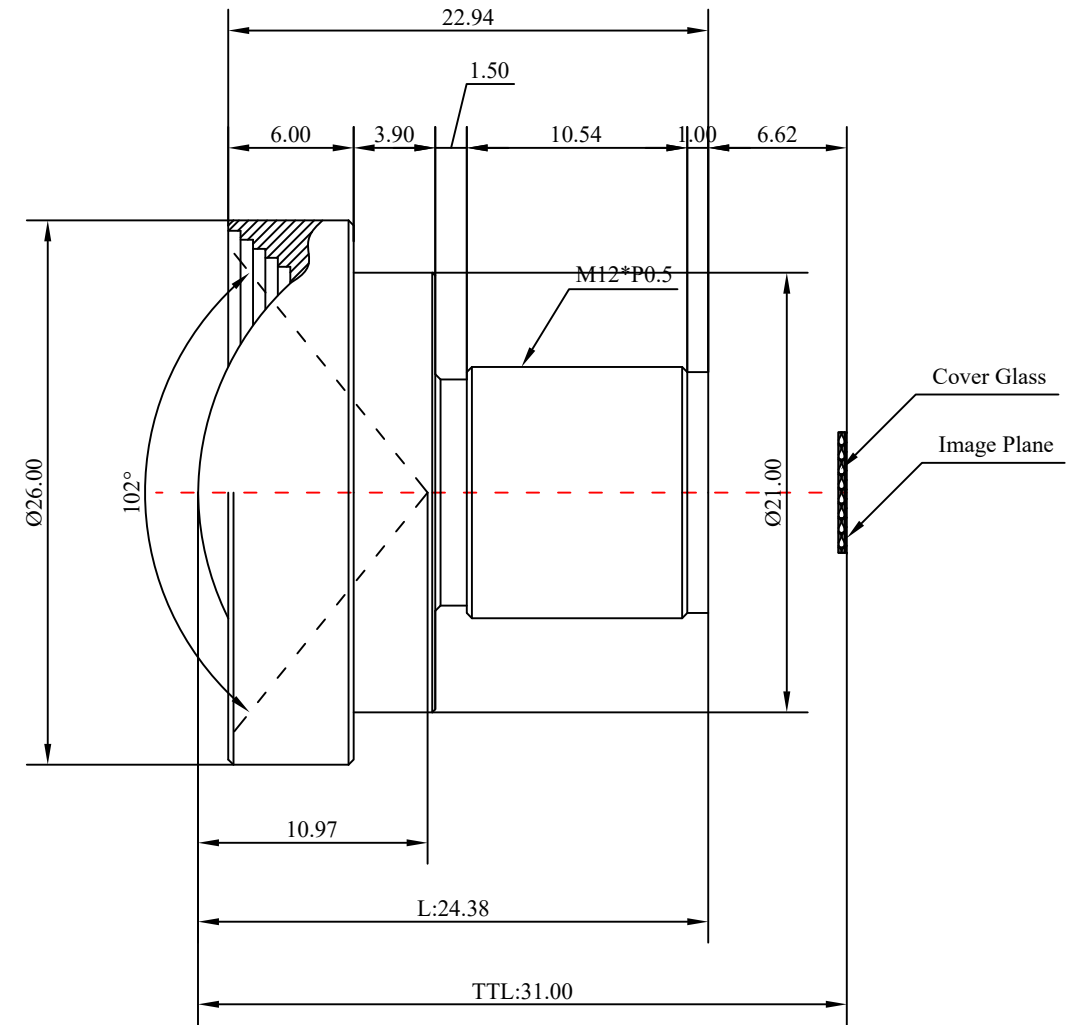
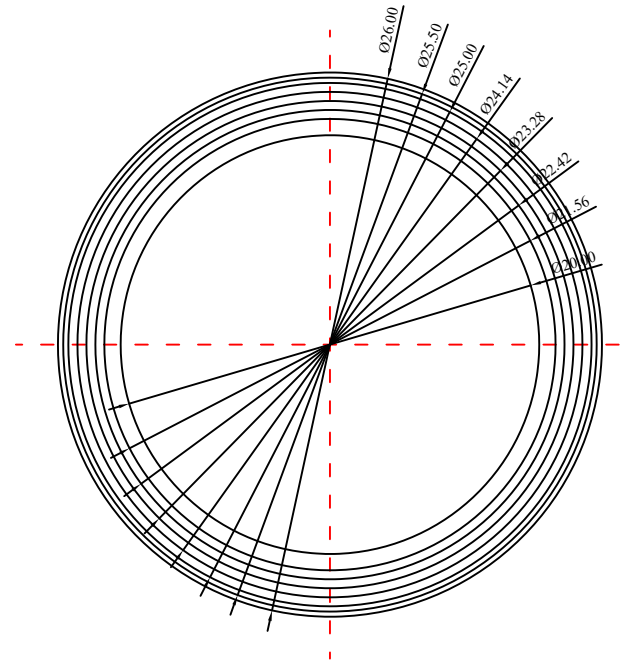


1	Type	Low Distortion Lens			
2	Resolution	16MP			
3	Image Format	1/1.8"			
4	Image Circle	φ9.0mm(MAX)			
5	EFL	4mm			
6	TTL	31.0mm			
7	F/NO.	2.8			
8	FFL (M)	6.62mm			
9	BFL (O)	7.8mm			
10	For Sensor	IMX678	OS08A10	IMX577	
11	F.O.V	Horizontal	96°	94°	81°
12		Vertical	60°	59°	64°
13		Diagonal	105°	102°	95°
14	TV Distortion	<-3.6%			
15	Relative Ill.	>70%			
16	Chief Ray Angle	<18°			
17	M.O.D	0.1m~∞			
18	Mount Type	M12*P0.5			
19	Dimension Figure	φ26.00*L24.38mm			
20	Lens Structure	8G			
21	IR-Filter	T=50%&IR650±10nm			
22	Waterproof	IP67			
23	Weight	15.7g			
24	Iris Operation	Fixed			
25	Zoom Operation	Fixed			
26	Focus Operation	Manual			
27	Operating Temperature	-45° ~+85°			
28	Storage Temperature	-45° ~+85°			



Scale	Remark	Tolerances	Date	Revised		福州创安光电科技有限公司 FUZHOU CHUANGAN OPTICS CO., LTD
4:1	X	±0.2	2022-01-19	CH3771AB Rev1.0		
	X.0	±0.15				
Units	X.00	±0.10	Design	Linda	2022-12-26	
	X.000	±0.001	Checked	Anna	2022-01-01	
mm	Angle	±0.5°	Approval	Sanmu	2022-01-18	

