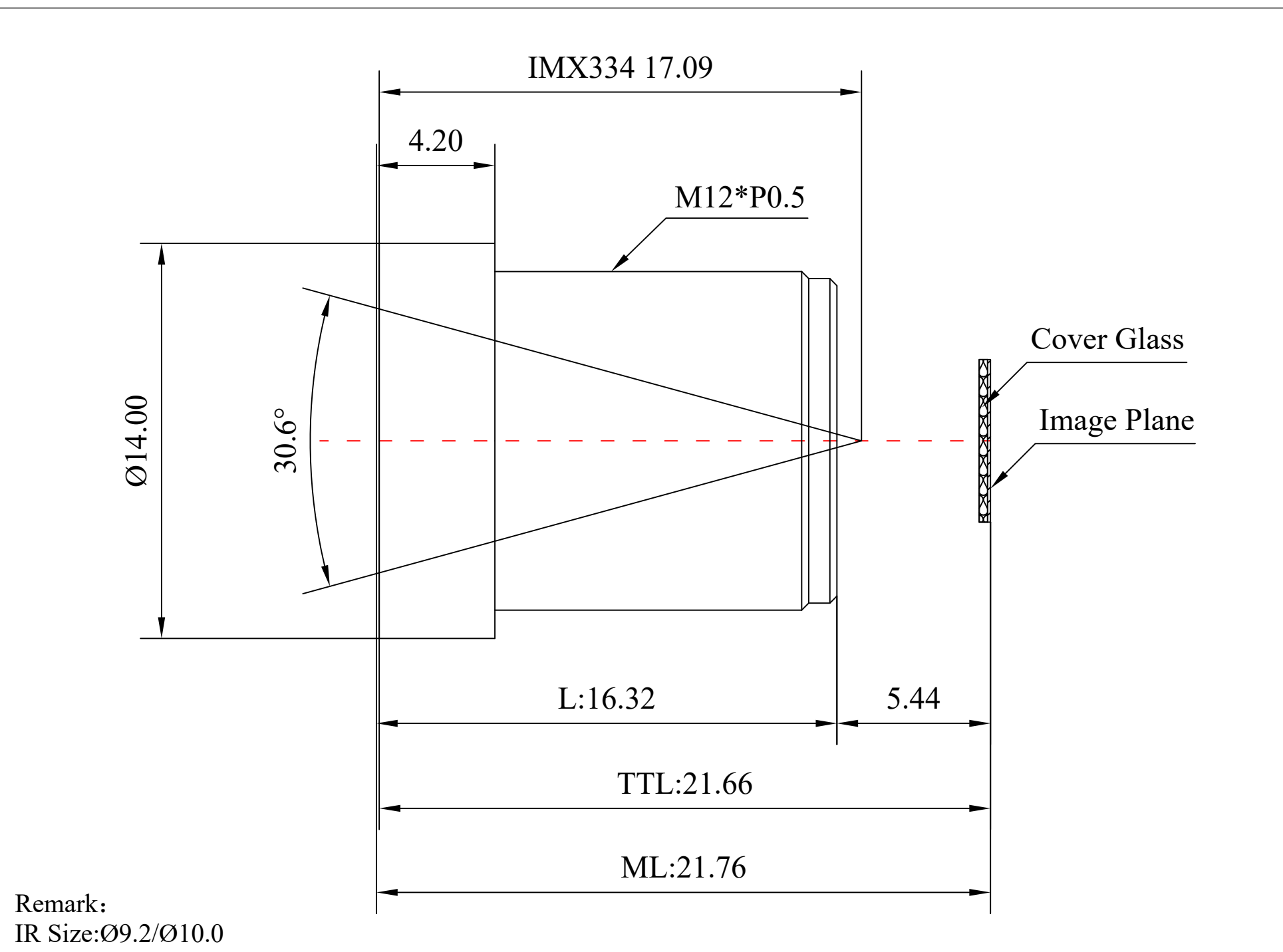
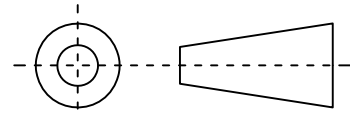


1	Type	Low Distortion Lens				
2	Resolution	16MP				
3	Image Format	1/1.8"				
4	Image Circle	φ9.0mm(MAX)				
5	EFL	16mm				
6	TTL	21.66mm				
7	F/NO.	F2.8				
8	FFL (M)	5.44mm				
9	BFL (O)	8.93mm				
10	For Sensor	IMX334	OS08A10	IMX577	IMX458	
11	F.O.V	H	26.8°	26.8°	22°	16.6°
12		V	15.2°	15.2°	16.5°	12.2°
13		D	30.6°	30.6°	27°	20.4°
14	TV Distortion	<-0.35%				
15	Relative Ill.	>93%				
16	Chief Ray Angle	<10°				
17	M.O.D	0.1m~∞				
18	Mount Type	M12*P0.5				
19	Dimension Figure	φ14.0*L16.32mm				
20	Lens Structure	6G				
21	IR-Filter	IR810±30nm				
22	Waterproof	---				
23	Weight	---				
24	Iris Operation	Fixed				
25	Zoom Operation	Fixed				
26	Focus Operation	Manual				
27	Operating Temperature	-20° ~+85°				
28	Storage Temperature	-20° ~+85°				



Scale	Remark	Tolerances	Date	Revised		福州创安光电科技有限公司 FUZHOU CHUANGAN OPTICS CO., LTD
4:1	X	±0.2	2022-01-14	CH3770AC Rev1.0		
	X.0	±0.15				
Units	X.00	±0.10	Design	Linda	2022-01-08	 3D Angle Projection
	X.000	±0.001	Checked	Anna	2022-01-12	
mm	Angle	±0.5°	Approval	Sanmu	2022-01-13	