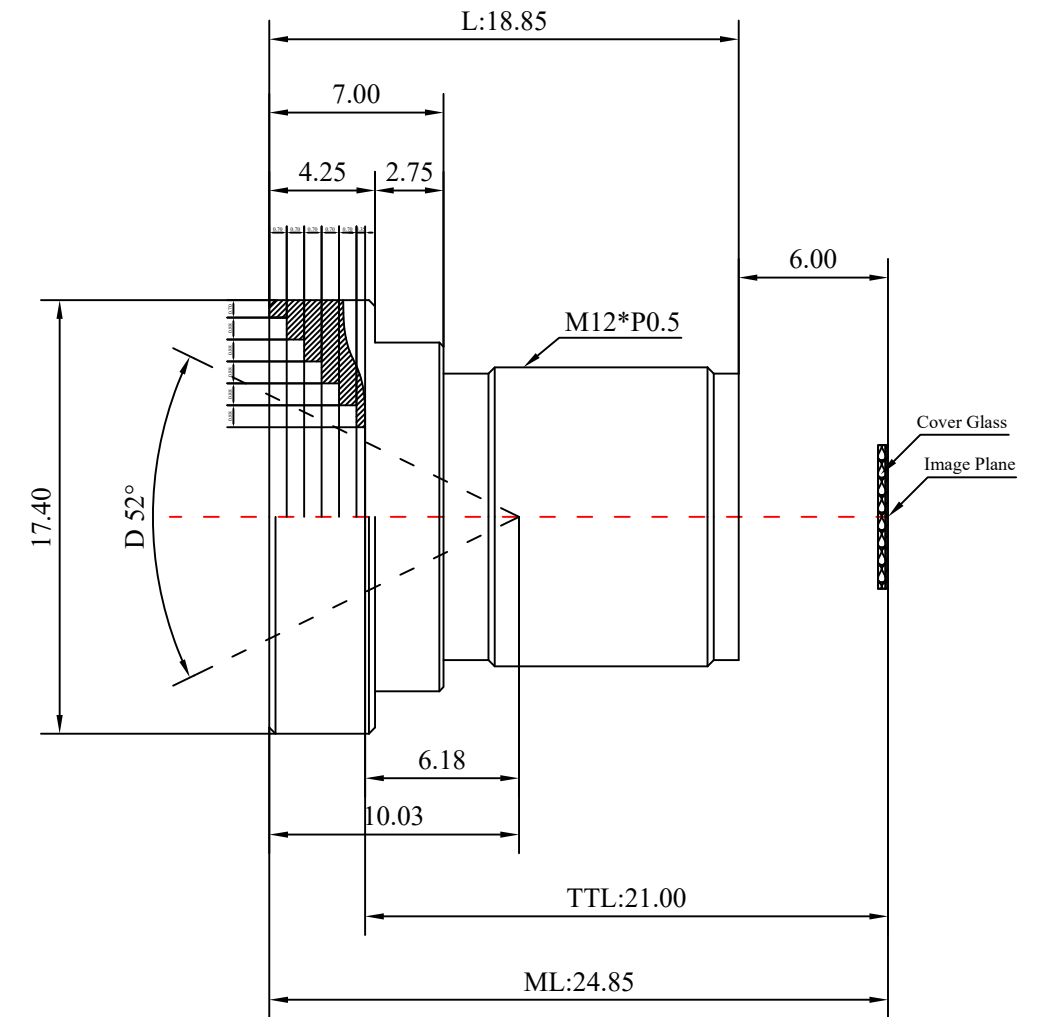
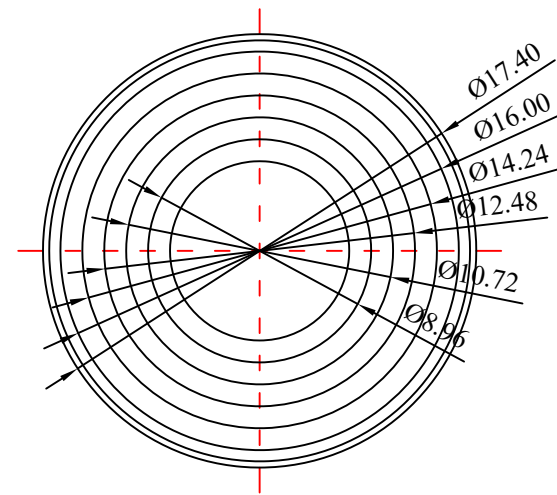


1	Type	Low Distortion Lens	
2	Resolution	16MP	
3	Image Format	1/2.3"	
4	Image Circle	φ8.0mm(MAX)	
5	EFL	8.36mm	
6	ML	24.85mm	
7	F/NO.	2.8	
8	FFL (M)	6.50mm	
9	BFL (O)	7.89mm	
10	For Sensor	IMX577	
11	F.O.V	Horizontal	41.3°
12		Vertical	31.8°
13		Diagonal	50.7°
14	TV Distortion	<-1%	
15	Relative Ill.	>70%	
16	Chief Ray Angle	<15°	
17	M.O.D	0.1m~∞	
18	Mount Type	M12*P0.5	
19	Dimension Figure	φ17.4*L18.85mm	
20	Lens Structure	7G	
21	IR-Filter	Non-IR	
22	Weight	3.6g	
23	Iris Operation	Fixed	
24	Zoom Operation	Fixed	
25	Focus Operation	Manual	
26	Operating Temperature	-20° ~+85°	
27	Storage Temperature	-20° ~+85°	



Scale	Remark	Tolerances	Date	Revised		福州创安光电科技有限公司 FUZHOU CHUANGAN OPTICS CO., LTD
4: 1	X	± 0.2	2022-01-12	CH3769A Rev1.0		
	X.0	± 0.15				
Units	X.00	± 0.10	Design	Linda	2021-12-05	
	X.000	± 0.001	Checked	Anna	2021-12-26	
mm	Angle	± 0.5°	Approval	Sanmu	2022-01-10	

