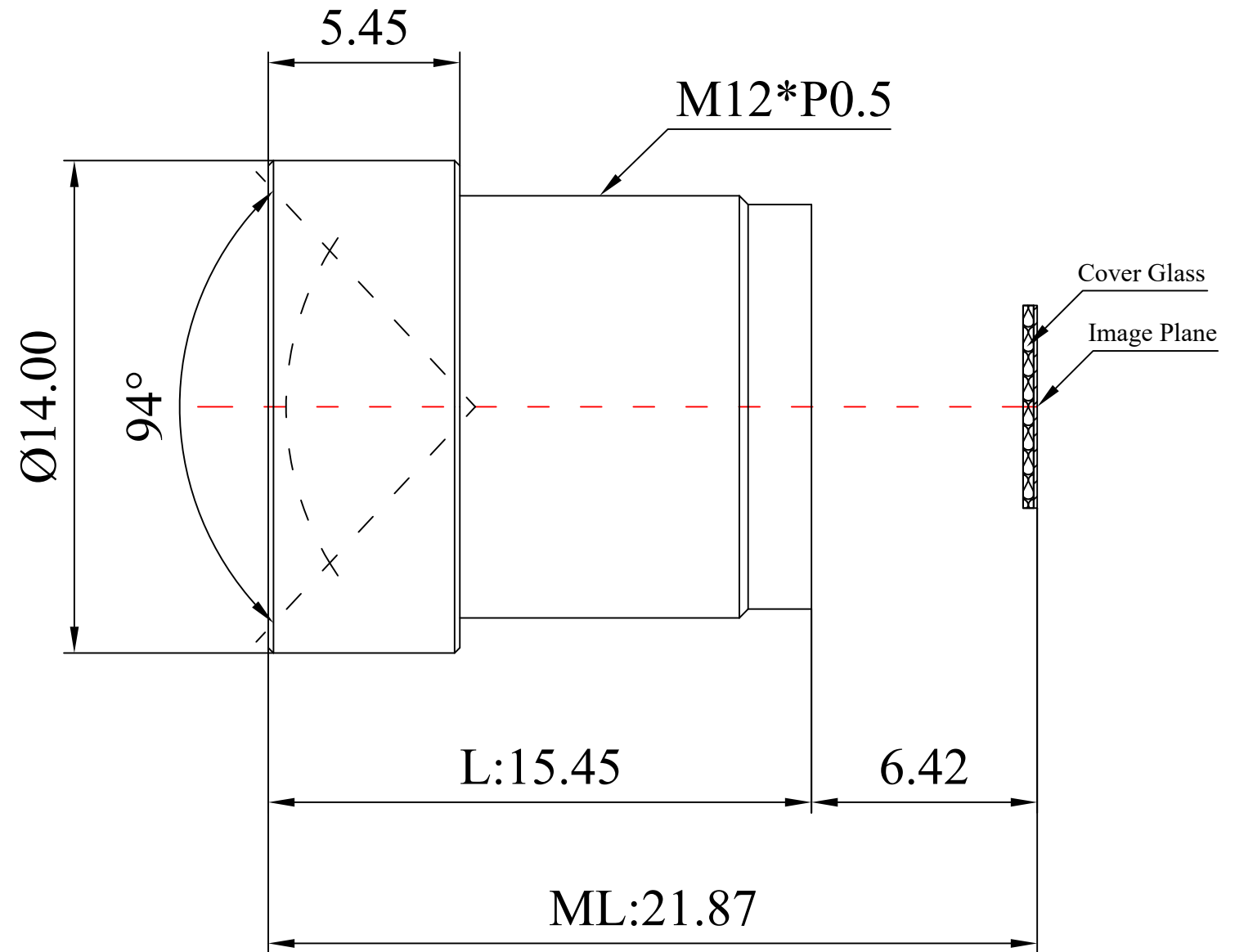


| | | | | | |
|----|-----------------------|---------------------|----------|----------|-----|
| 1 | Type | Low Distortion Lens | | | |
| 2 | Resolution | 8MP | | | |
| 3 | Image Format | 1/1.8" | | | |
| 4 | Image Circle | φ9.6mm(MAX) | | | |
| 5 | EFL | 4.11mm | | | |
| 6 | ML | 21.87mm | | | |
| 7 | F/NO. | F3.0 | | | |
| 8 | FFL (M) | 6.42mm | | | |
| 9 | BFL (O) | 7.00mm | | | |
| 10 | For Sensor | IMX334 | IMX377 | OV2710 | |
| 11 | F.O.V | Horizontal | 86° | 74° | 70° |
| 12 | | Vertical | 56° | 54° | 43° |
| 13 | | Diagonal | 94° | 87° | 78° |
| 14 | OPT Distortion | <-1% (H) | <-1% (H) | <-1% (H) | |
| 15 | Relative Ill. | >65% | | | |
| 16 | Chief Ray Angle | <11° | | | |
| 17 | M.O.D | 0.1m~∞ | | | |
| 18 | Mount Type | M12*P0.5 | | | |
| 19 | Dimension Figure | φ14.0*L15.45mm | | | |
| 20 | Lens Structure | 3G2P | | | |
| 21 | IR-Filter | T=50%&IR650±10nm | | | |
| 22 | Weight | --- | | | |
| 23 | Iris Operation | Fixed | | | |
| 24 | Zoom Operation | Fixed | | | |
| 25 | Focus Operation | Manual | | | |
| 26 | Operating Temperature | -15° ~+65° | | | |
| 27 | Storage Temperature | -15° ~+65° | | | |



| Scale | Remark | Tolerances | Date | Revised | | 福州创安光电科技有限公司 FUZHOU CHUANGAN OPTICS CO., LTD |
|-------|--------|------------|------------|-----------------|------------|---|
| 4: 1 | X | ± 0.2 | 2021-09-29 | CH3749AB Rev1.0 | | |
| | X.0 | ± 0.15 | | | | |
| Units | X.00 | ± 0.10 | Design | Linda | 2021-08-23 | |
| | X.000 | ± 0.001 | Checked | Anna | 2021-09-18 | |
| mm | Angle | ± 0.5° | Approval | Sanmu | 2021-09-25 | |

