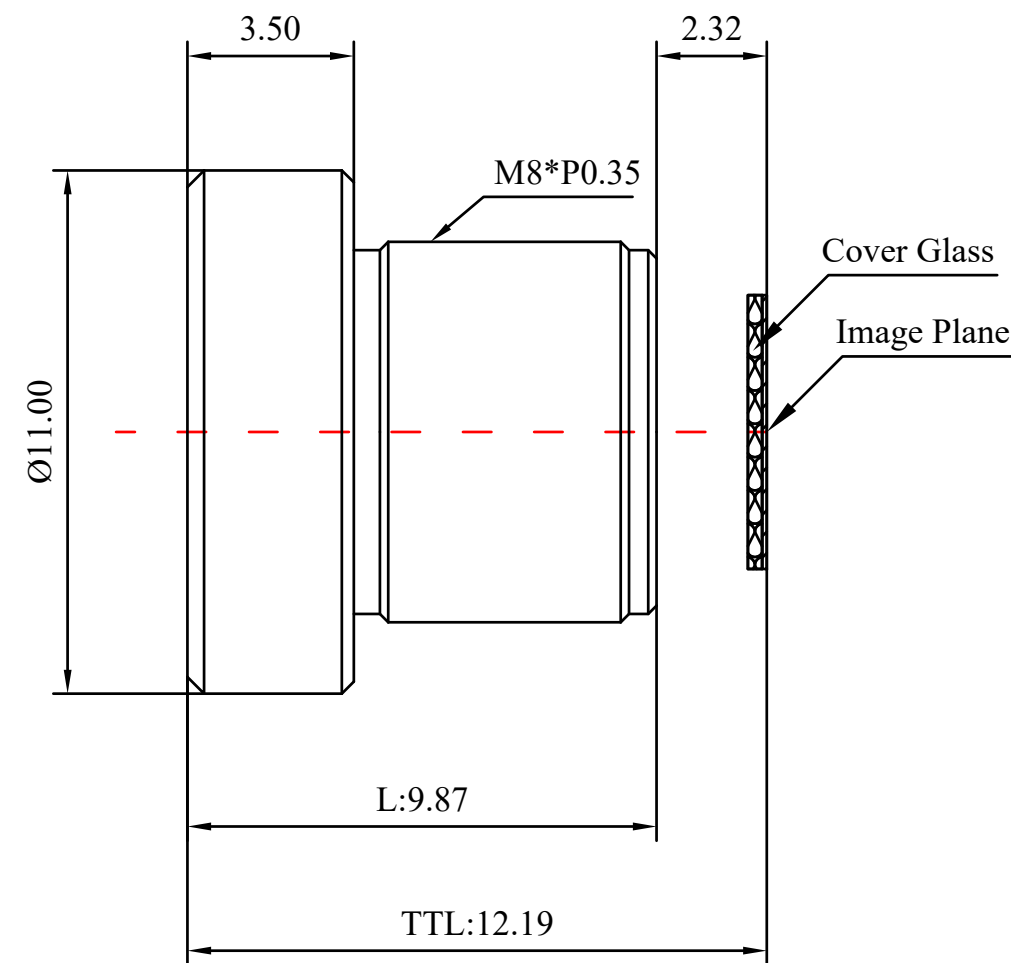
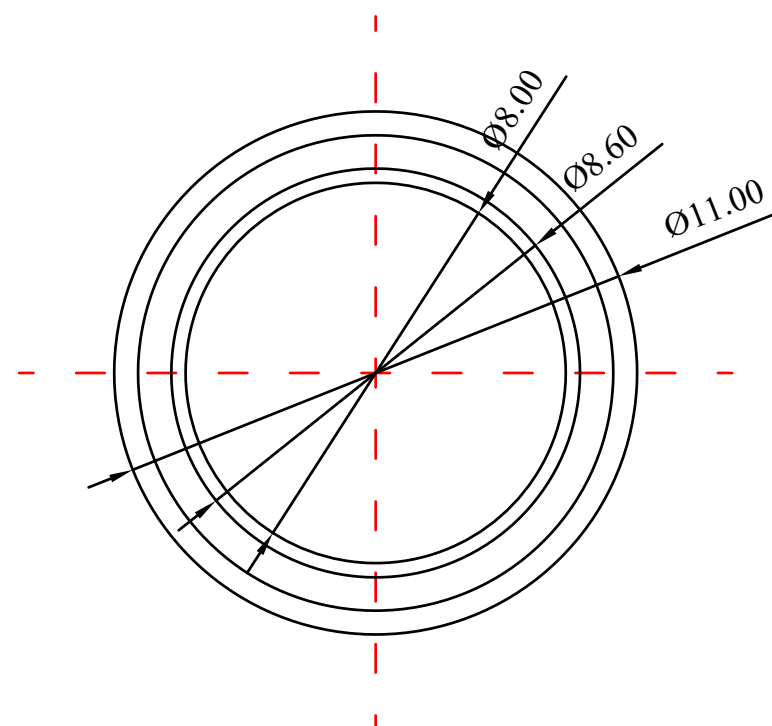




PRODUCT: CH3745A

1	Type	Wide Angle Lens	
2	Resolution	5MP	
3	Image Format	1/4"	
4	Image Circle	φ4.6mm(MAX)	
5	EFL	2.3mm	
6	TTL	12.19mm	
7	F/NO.	2.0	
8	FFL (M)	2.32mm	
9	BFL (O)	3.01mm	
10	For Sensor	1/4"	
11	F.O.V	Horizontal	98.5°
12		Vertical	70°
13		Diagonal	139.2°
14	TV Distortion	<-26.33%	
15	Relative Ill.	>75%	
16	Chief Ray Angle	<16°	
17	M.O.D	0.1m~∞	
18	Mount Type	M8*P0.35	
19	Dimension Figure	φ11.0*L9.87mm	
20	Lens Structure	5G	
21	IR-Filter	T=50%&IR650±10nm	



22	Weight	---	Scale	Remark	Tolerances	Date	Revised		福州创安光电科技有限公司 FUZHOU CHUANGAN OPTICS CO., LTD
23	Iris Operation	Fixed		X	± 0.2	2021-06-23	CH3745A Rev1.0		
24	Zoom Operation	Fixed	4: 1	X.0	± 0.15				
25	Focus Operation	Manual	Units	X.00	± 0.10	Design	Linda	2021-04-23	 3D Angle Projection
26	Operating Temperature	-20° ~+85°		X.000	± 0.001	Checked	Anna	2021-05-11	
27	Storage Temperature	-20° ~+85°	mm	Angle	± 0.5°	Approval	Sanmu	2021-05-18	