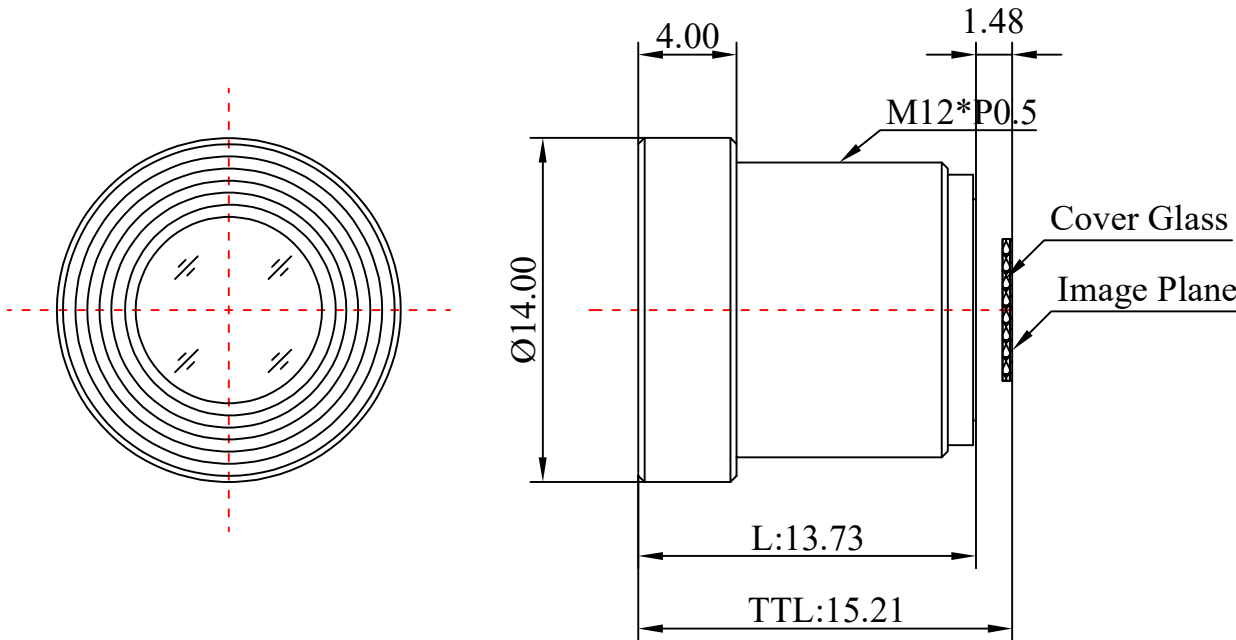




# PRODUCT: CH3728B

1	Type	ToF Lens			
2	Resolution	5MP			
3	Image Format	1/3"			
4	Image Circle	φ6.4mm(MAX)			
5	EFL	2.47mm			
6	TTL	15.21mm			
7	F/NO.	1.2			
8	FFL (M)	1.48mm			
9	BFL (O)	1.76mm			
10	For Sensor	OPT8241	MN34906	OPT8320	
11	F.O.V	Horizontal	91.8°	69.5°	48.9°
12		Vertical	69.8°	54.0°	38°
13		Diagonal	120.6°	85.6°	59.4°
14	OPT Distortion	<-31%			
15	Relative Ill.	>56%			
16	Chief Ray Angle	<13°			
17	M.O.D	0.1m~∞			
18	Mount Type	M12*P0.5			
19	Dimension Figure	φ14.0*L13.73mm			
20	Lens Structure	2G3P			
21	IR-Filter	IR850nm			
22	Waterproof	---			
23	Weight	3.1g			
24	Iris Operation	Fixed			
25	Zoom Operation	Fixed			
26	Focus Operation	Manual			
27	Operating Temperature	-20° ~+85°			
28	Storage Temperature	-20° ~+85°			



Scale	Remark	Tolerances	Date	Revised	
4:1	X	±0.2	2021-06-03	CH3728B Rev1.0	
	X.0	±0.15			
Untis	X.00	±0.10	Design	Linda	2021-03-26
	X.000	±0.001	Checked	Anna	2021-04-22
mm	Angle	±0.5°	Approval	Sanmu	2021-05-16

福州创安光电科技有限公司  
FUZHOU CHUANGAN OPTICS CO., LTD

3D Angle Projection