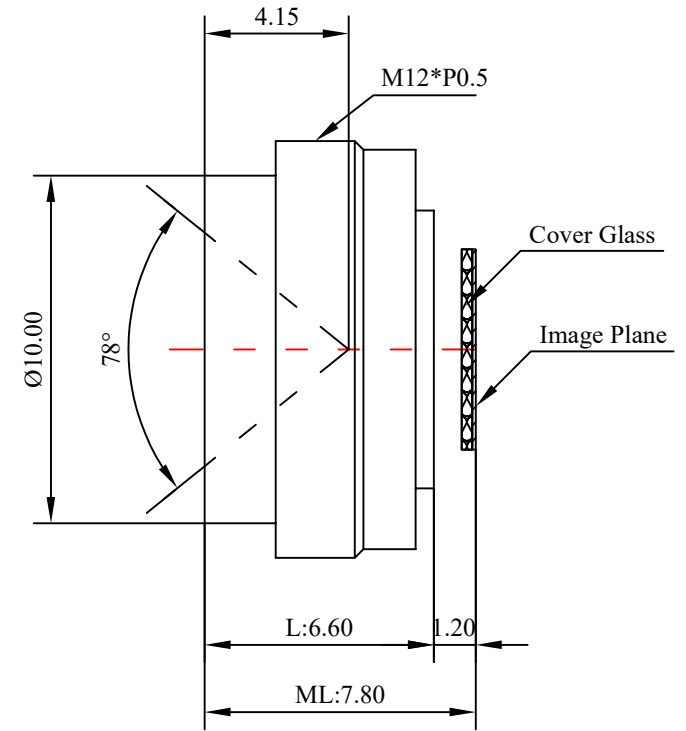
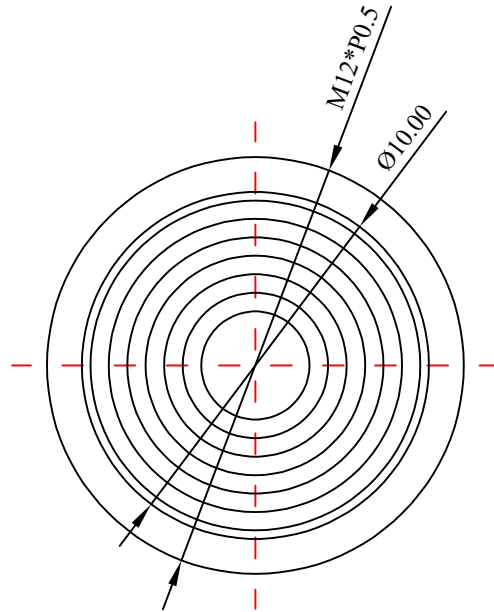




PRODUCT: CH3696HC

1	Type	Low Distortion Lens	
2	Resolution	20MP	
3	Image Format	1/2.3"	
4	Image Circle	φ8.0mm(MAX)	
5	EFL	4.8mm	
6	ML	7.8mm	
7	F/NO.	1.8	
8	FFL (M)	1.20mm	
9	BFL (O)	1.60mm	
10	For Sensor	1/2.3"	
11	F.O.V	Horizontal	68°
12		Vertical	48°
13		Diagonal	78°
14	OPT Distortion	<-1%	
15	Relative Ill.	>63%	
16	Chief Ray Angle	<34.8°	
17	M.O.D	0.1m~∞	
18	Mount Type	M12*P0.5	
19	Dimension Figure	φ12*L6.6mm	
20	Lens Structure	5E	
21	IR-Filter	IR650-1100nm	
22	Waterproof	No	
23	Weight	---	
24	Iris Operation	Fixed	4:1
25	Zoom Operation	Fixed	
26	Focus Operation	Manual	Units
27	Operating Temperature	-10° ~+45°	
28	Storage Temperature	-10° ~+45°	mm



Scale	Remark	Tolerances	Date	Revised	
4:1	X	±0.2	2020-06-11	CH3696HC Rev1.0	
	X.0	±0.15			
Units	X.00	±0.10	Design	Linda	2020-03-26
	X.000	±0.001	Checked	Anna	2020-04-20
mm	Angle	±0.5°	Approval	Sanmu	2020-05-13

福州创安光电科技有限公司
FUZHOU CHUANGAN OPTICS CO., LTD

3D Angle Projection