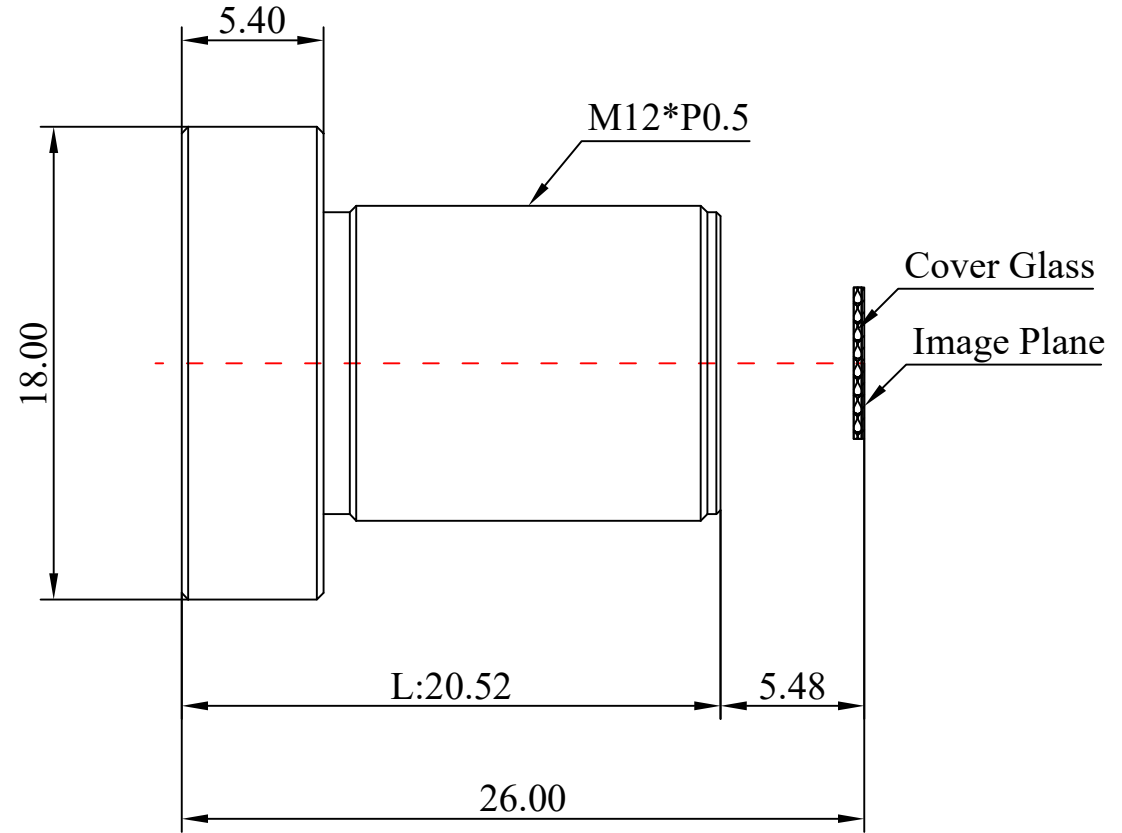




PRODUCT: CH3664F

1	Type	Board Lens			
2	Resolution	5MP			
3	Image Format	1/2"			
4	Image Circle	φ8.0mm(MAX)			
5	EFL	25mm			
6	TTL	26.0mm			
7	F/NO.	4.0			
8	FFL (M)	5.48mm			
9	BFL (O)	11.98mm			
10	For Sensor	1/2"	1/3"	1/4"	
11	F.O.V	Horizontal	14.7°	11.1°	8.3°
12		Vertical	11.1°	8.3°	6.3°
13		Diagonal	18.3°	13.8°	10.4°
14	OPT Distortion	<-1.13%	<-0.64%	<-0.36%	
15	Relative Ill.	>55%			
16	Chief Ray Angle	<7.4°			
17	M.O.D	0.3m~∞			
18	Mount Type	M12*P0.5			
19	Dimension Figure	φ18.00*L20.52mm			
20	Lens Structure	4G			
21	IR-Filter	Non-IR			
22	Waterproof	No			
23	Weight	5.0g			
24	Iris Operation	Fixed			
25	Zoom Operation	Fixed			
26	Focus Operation	Manual			
27	Operating Temperature	-20° ~+85°			
28	Storage Temperature	-20° ~+85°			



Scale	Remark	Tolerances	Date	Revised	
4:1	X	±0.2	2021-07-01	CH3664F Rev1.1	
	X.0	±0.15			
Units	X.00	±0.10	Design	Linda	2016-05-26
	X.000	±0.001	Checked	Anna	2016-07-20
mm	Angle	±0.5°	Approval	Sanmu	2016-07-20

福州创安光电科技有限公司
FUZHOU CHUANGAN OPTICS CO., LTD

3D Angle Projection