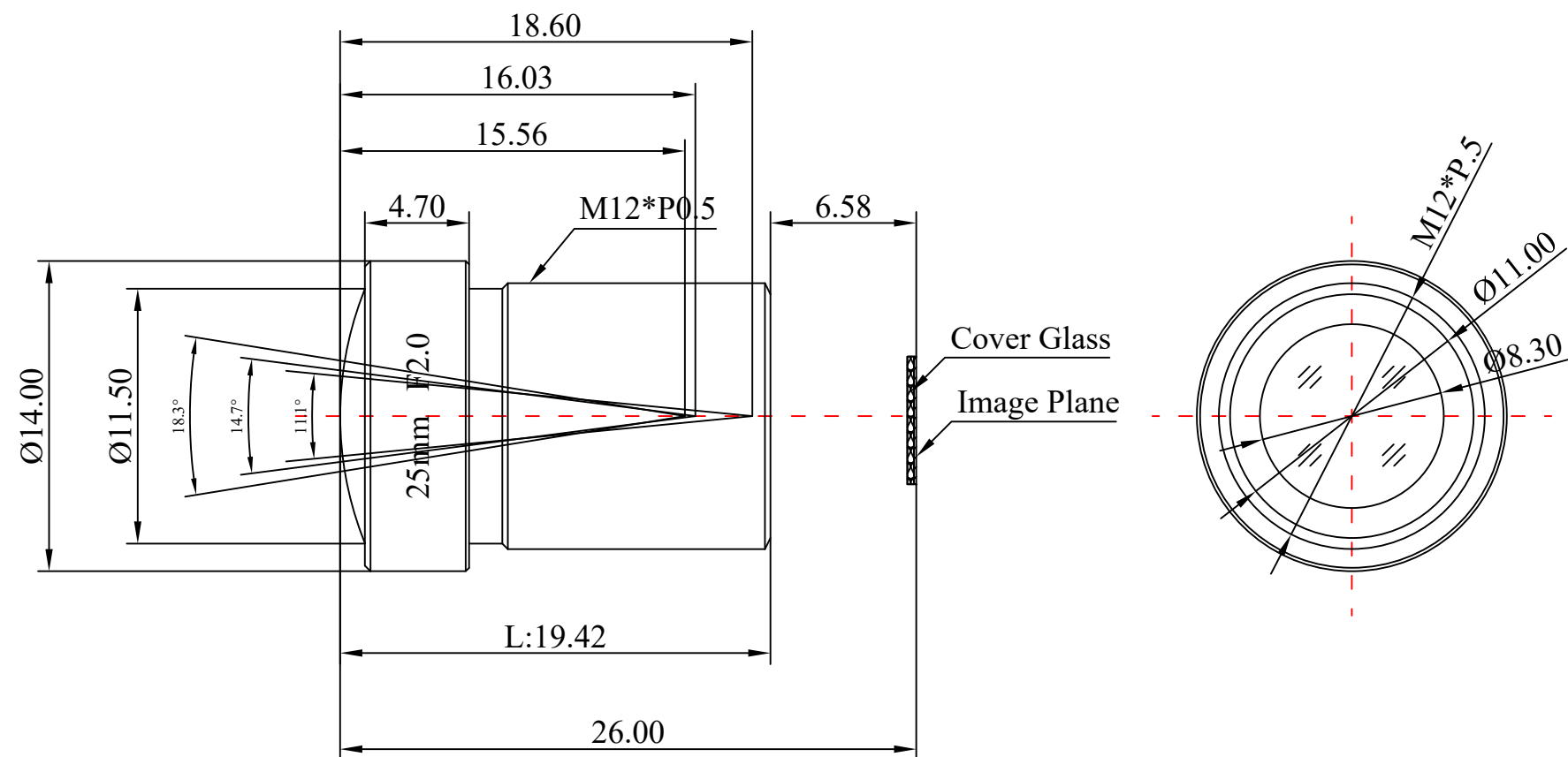


1	Type	Board Lens			
2	Resolution	5MP			
3	Image Format	1/2"			
4	Image Circle	φ8.0mm(MAX)			
5	EFL	25mm			
6	TTL	26.00mm			
7	F/NO.	2.0			
8	FFL (M)	6.58mm			
9	BFL (O)	11.98mm			
10	For Sensor	1/2"	1/3"	1/4"	
11	F.O.V	Horizontal	14.7°	11.1°	8.3°
12		Vertical	11.1°	8.3°	6.3°
13		Diagonal	18.3°	13.8°	10.4°
14	OPT Distortion	<-1.13%	<-0.64%	<-0.36%	
15	Relative Ill.	>55%			
16	Chief Ray Angle	<7.4°			
17	M.O.D	0.3m~∞			
18	Mount Type	M12*P0.5			
19	Dimension Figure	φ14.00*L19.42mm			
20	Lens Structure	4G			
21	IR-Filter	Non-IR			
22	Waterproof	No			
23	Weight	5.0g			
24	Iris Operation	Fixed			
25	Zoom Operation	Fixed			
26	Focus Operation	Manual			
27	Operating Temperature	-20° ~+85°			
28	Storage Temperature	-20° ~+85°			



Scale	Remark	Tolerances	Date	Revised		福州创安光电科技有限公司 FUZHOU CHUANGAN OPTICS CO., LTD
4:1	X	±0.2	2020-06-11	CH3664A Rev1.0		
	X.0	±0.15				
Units	X.00	±0.10	Design	Linda	2016-05-26	
	X.000	±0.001	Checked	Anna	2016-07-20	
mm	Angle	±0.5°	Approval	Sanmu	2016-07-20	

