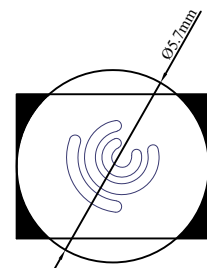
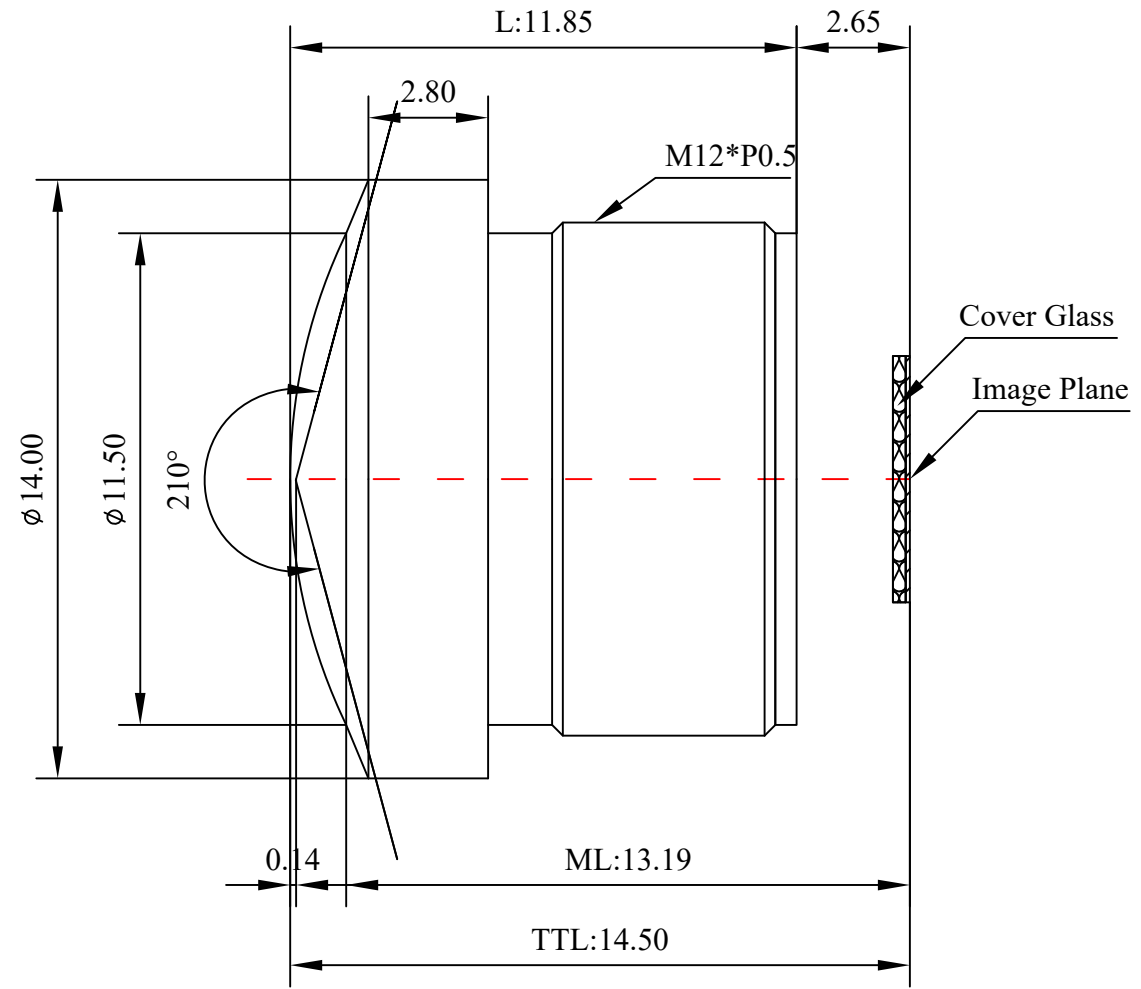
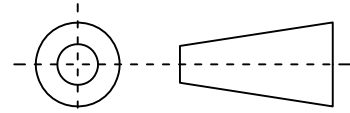


1	Type	Wide Angle Lens				
2	Resolution	5MP				
3	Image Format	1/2.7"				
4	Image Circle	φ5.7mm(MAX)				
5	EFL	1.73mm				
6	TTL	14.50mm				
7	F/NO.	2.0				
8	FFL (M)	2.65mm				
9	BFL (O)	3.32mm				
10	For Sensor	OV2710	IMX307	GC2053	IMX225	
11	F.O.V	H	200°	194°	185°	161°
12		V	115°	110°	100°	97°
13		D	200°	200°	200°	192°
14	TV Distortion	<-50%				
15	Relative Ill.	>80%				
16	Chief Ray Angle	<15°				
17	M.O.D	0.1m~∞				
18	Mount Type	M12*P0.5				
19	Dimension Figure	φ14.00*L11.85mm				
20	Lens Structure	6G				
21	IR-Filter	Non-IR				
22	Waterproof	IP68				
23	Weight	3.8g				
24	Iris Operation	Fixed				
25	Zoom Operation	Fixed				
26	Focus Operation	Manual				
27	Operating Temperature	-20° ~+85°				
28	Storage Temperature	-20° ~+85°				



Full Horizontal



Scale	Remark	Tolerances	Date	Revised		福州创安光电科技有限公司 FUZHOU CHUANGAN OPTICS CO., LTD
4:1	X	±0.2	2019-06-21	CH364D Rev1.0		
	X.0	±0.15				
Units	X.00	±0.10	Design	Linda	2018-09-11	 3D Angle Projection
	X.000	±0.001	Checked	Anna	2019-11-05	
mm	Angle	±0.5°	Approval	Sanmu	2019-11-08	