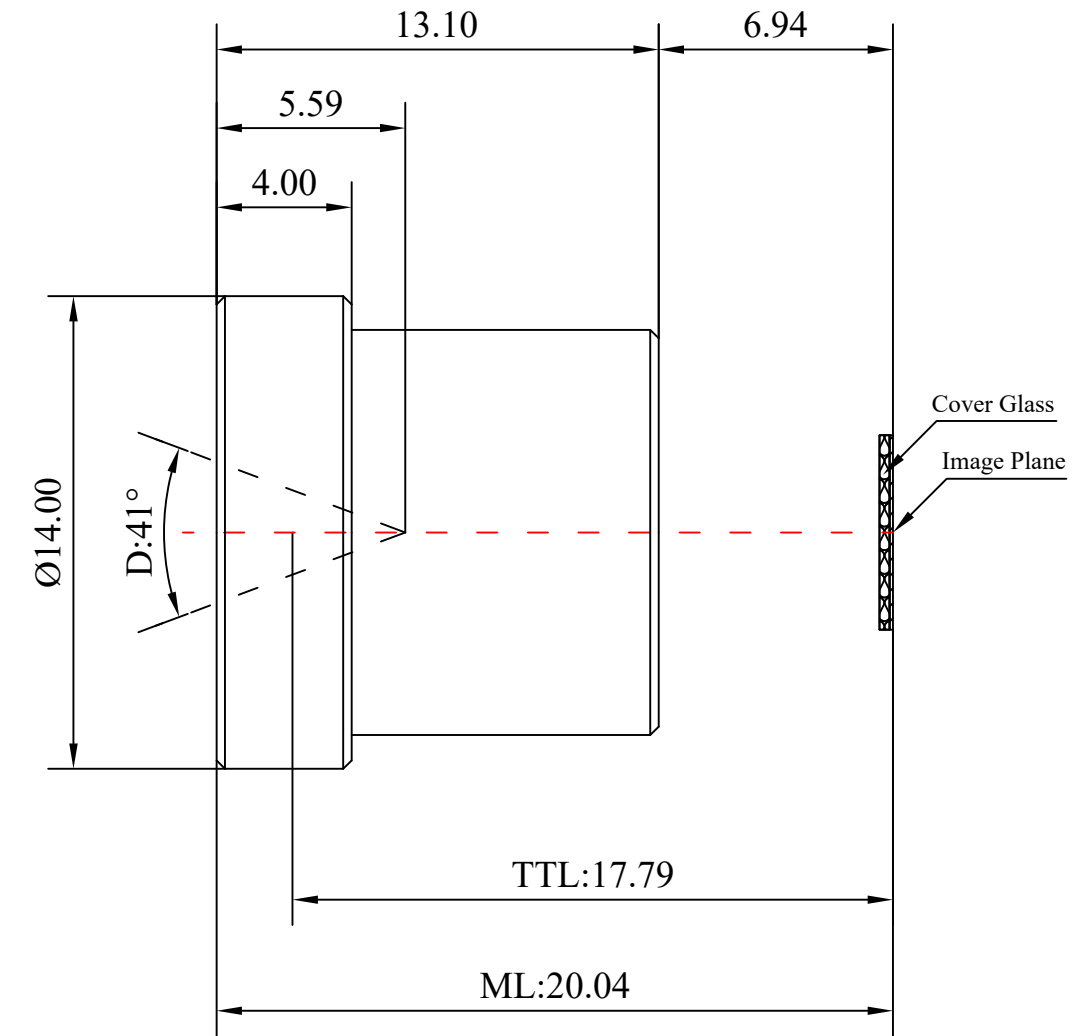
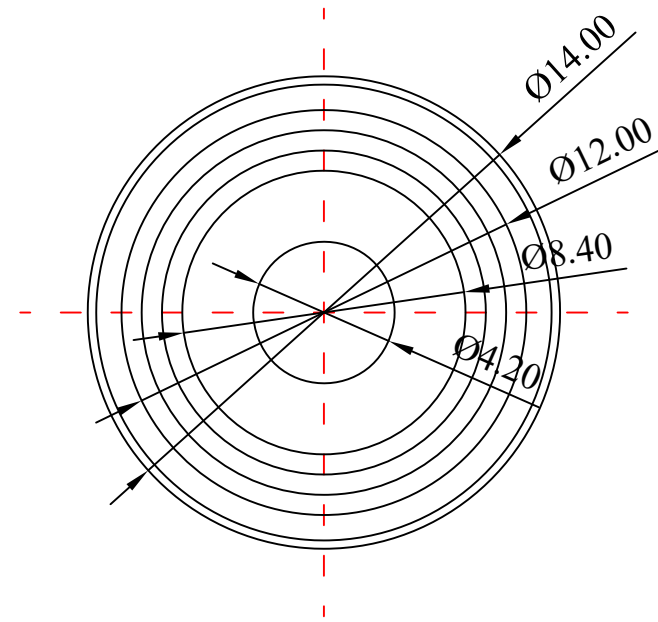
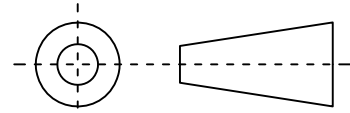


1	Type	Low Distortion Lens	
2	Resolution	8.8MP	
3	Image Format	1/1.8"	
4	Image Circle	φ8.8mm(MAX)	
5	EFL	12mm	
6	TTL	17.79mm	
7	F/NO.	2.8	
8	FFL (M)	6.94mm	
9	BFL (O)	8.57mm	
10	For Sensor	1/1.8"	
11	F.O.V	Horizontal	32°
12		Vertical	25°
13		Diagonal	41°
14	TV Distortion	<-1%	
15	Relative Ill.	>83%	
16	Chief Ray Angle	<18°	
17	M.O.D	0.1m~∞	
18	Mount Type	M12*P0.5	
19	Dimension Figure	φ14.0*L13.10mm	
20	Lens Structure	5G	
21	IR-Filter	T=50%&IR650±10nm	
22	Waterproof	No	
23	Weight	3.7g	
24	Iris Operation	Fixed	
25	Zoom Operation	Fixed	
26	Focus Operation	Manual	
27	Operating Temperature	-20° ~+85°	
28	Storage Temperature	-20° ~+85°	



Scale	Remark	Tolerances	Date	Revised		福州创安光电科技有限公司 FUZHOU CHUANGAN OPTICS CO., LTD
5:1	X	±0.2	2020-03-11	CH3636IB Rev1.0		
	X.0	±0.15				
Units	X.00	±0.10	Design	Linda	2019-03-13	 3D Angle Projection
	X.000	±0.001	Checked	Anna	2019-06-26	
mm	Angle	±0.5°	Approval	Sanmu	2019-06-29	