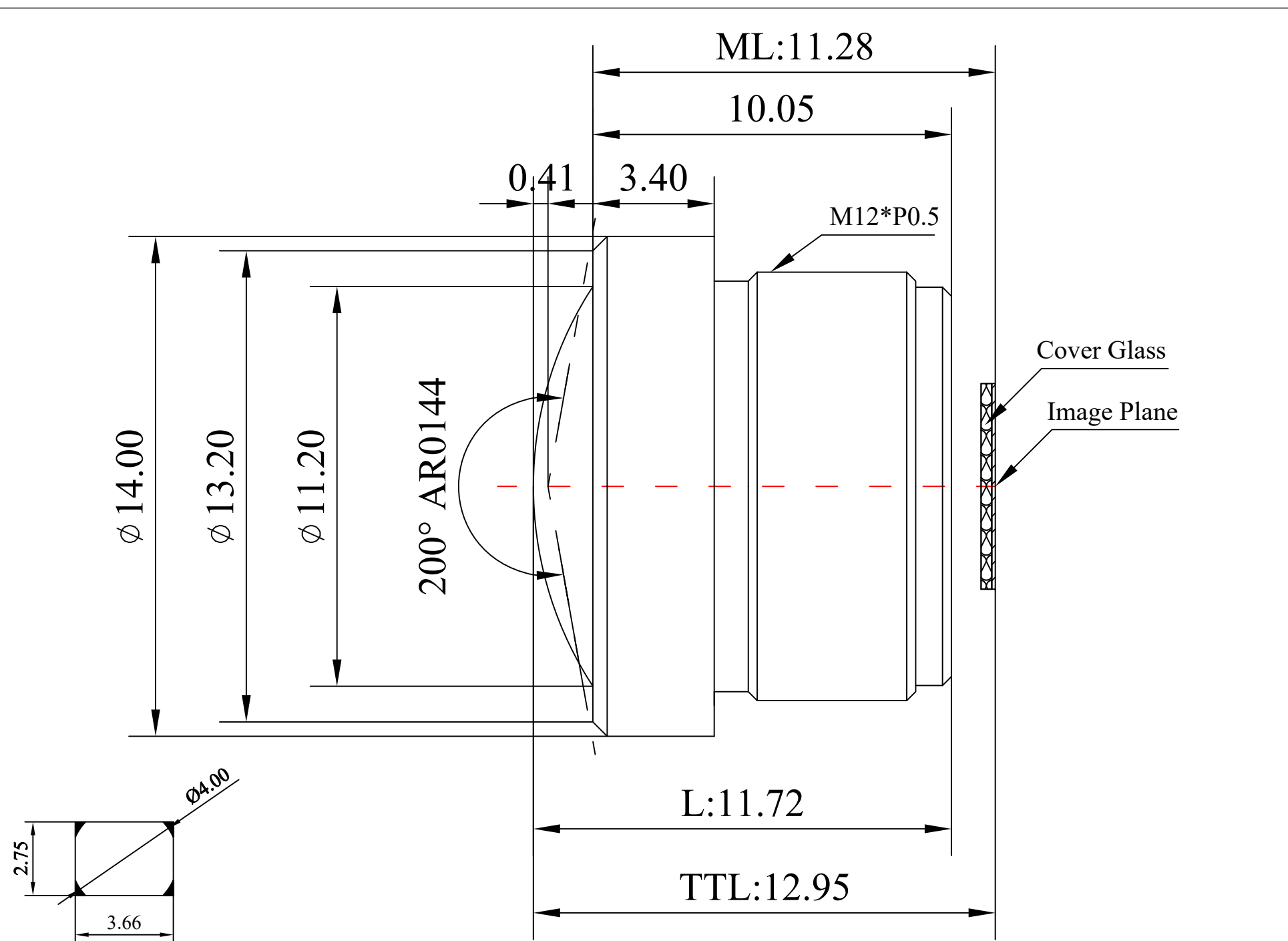
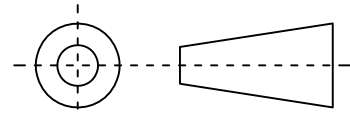


1	Type	Fisheye Lens	
2	Resolution	8.8MP	
3	Image Format	1/4"	
4	Image Circle	φ4.0mm(MAX)	
5	EFL	0.99mm	
6	TTL	12.95mm	
7	F/NO.	2.0	
8	FFL (M)	1.23mm	
9	BFL (O)	2.11mm	
10	For Sensor	AR0144	
11	F.O.V	Horizontal	194°
12		Vertical	132°
13		Diagonal	200°
14	OPT Distortion	<-139%	
15	Relative Ill.	>50%	
16	Chief Ray Angle	<11°	
17	M.O.D	0.1m~∞	
18	Mount Type	M12*P0.5	
19	Dimension Figure	φ14.0*L11.72mm	
20	Lens Structure	4G2P	
21	IR-Filter	Non-IR	
22	Waterproof	IP67	
23	Weight	3.2g	
24	Iris Operation	Fixed	
25	Zoom Operation	Fixed	
26	Focus Operation	Manual	
27	Operating Temperature	-20° ~+85°	
28	Storage Temperature	-20° ~+85°	



Scale	Remark	Tolerances	Date	Revised		福州创安光电科技有限公司 FUZHOU CHUANGAN OPTICS CO., LTD
5:1	X	±0.2	2020-01-13	CH3631B Rev1.1		
	X.0	±0.15				
Units	X.00	±0.10	Design	Linda	2019-06-17	 3D Angle Projection
	X.000	±0.001	Checked	Anna	2019-08-14	
mm	Angle	±0.5°	Approval	Sanmu	2019-08-21	