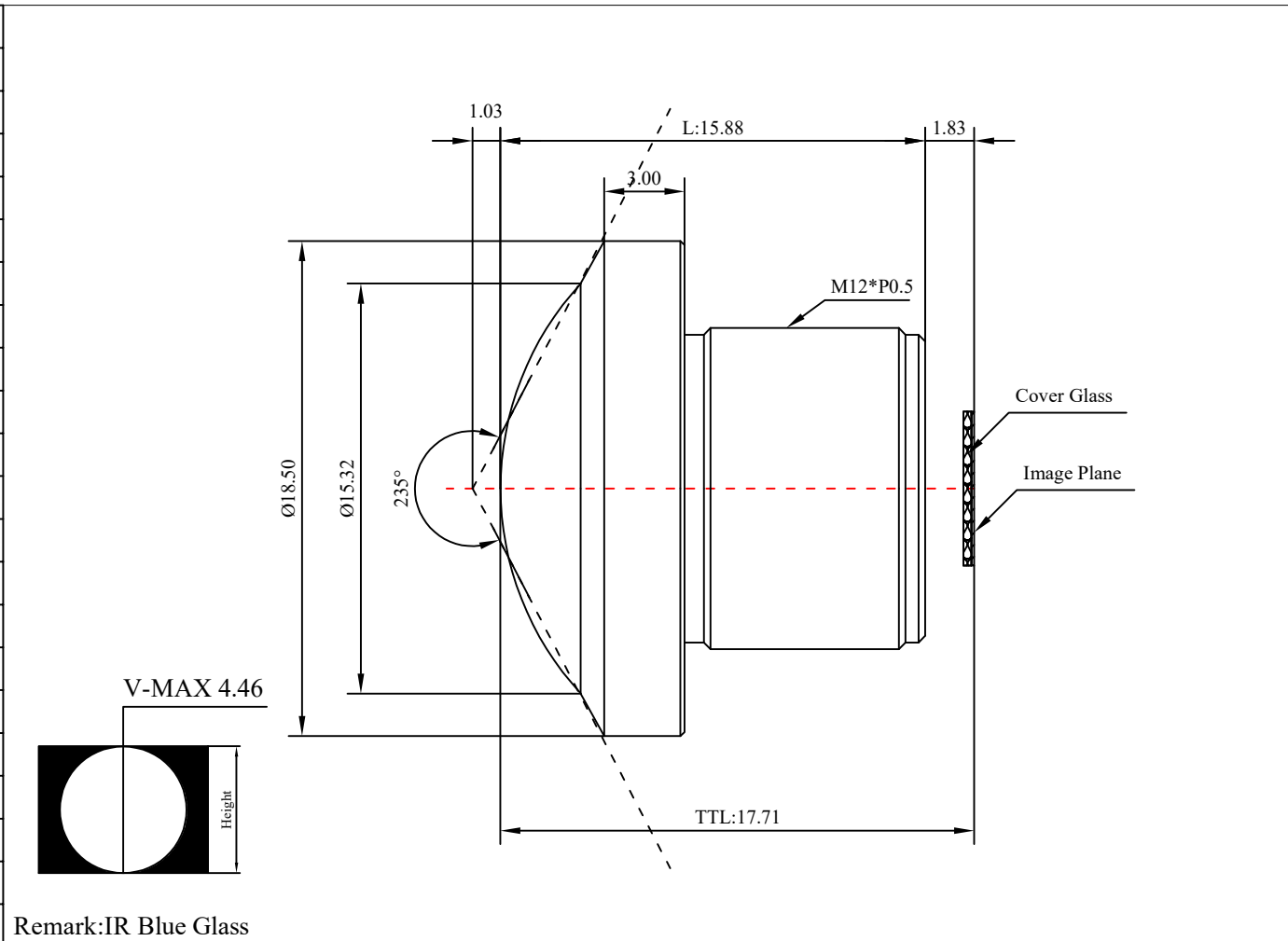




# PRODUCT: CH347A

1	Type	Fisheye Lens	
2	Resolution	12.3MP	
3	Image Format	1/2.3"	
4	Image Circle	φ4.46mm(V-MAX)	
5	EFL	1.41mm	
6	TTL	17.71mm	
7	F/NO.	2.0	
8	FFL (M)	1.83mm	
9	BFL (O)	2.30mm	
10	For Sensor	1/2.3"	
11	F.O.V	Horizontal	235°
12		Vertical	235°
13		Diagonal	235°
14	F-theta Distortion	<-23.18%	
15	Relative Ill.	>80%	
16	Chief Ray Angle	<15.8°	
17	M.O.D	0.1m~∞	
18	Mount Type	M12*P0.5	
19	Dimension Figure	φ18.5*L15.88mm	
20	Lens Structure	8G	
21	IR-Filter	T=50%&IR650±10nm	
22	Waterproof	No	
23	Weight	6.4g	
24	Iris Operation	Fixed	
25	Zoom Operation	Fixed	
26	Focus Operation	Manual	
27	Operating Temperature	-20° ~+85°	
28	Storage Temperature	-20° ~+85°	



Remark:IR Blue Glass

Scale	Remark	Tolerances	Date	Revised	
4:1	X	±0.2	2020-09-13	CH347A Rev1.1	
	X.0	±0.15			
Units	X.00	±0.10	Design	Linda	2020-05-10
	X.000	±0.001	Checked	Anna	2020-06-08
mm	Angle	±0.5°	Approval	Sanmu	2020-06-13

福州创安光电科技有限公司  
FUZHOU CHUANGAN OPTICS CO., LTD

3D Angle Projection