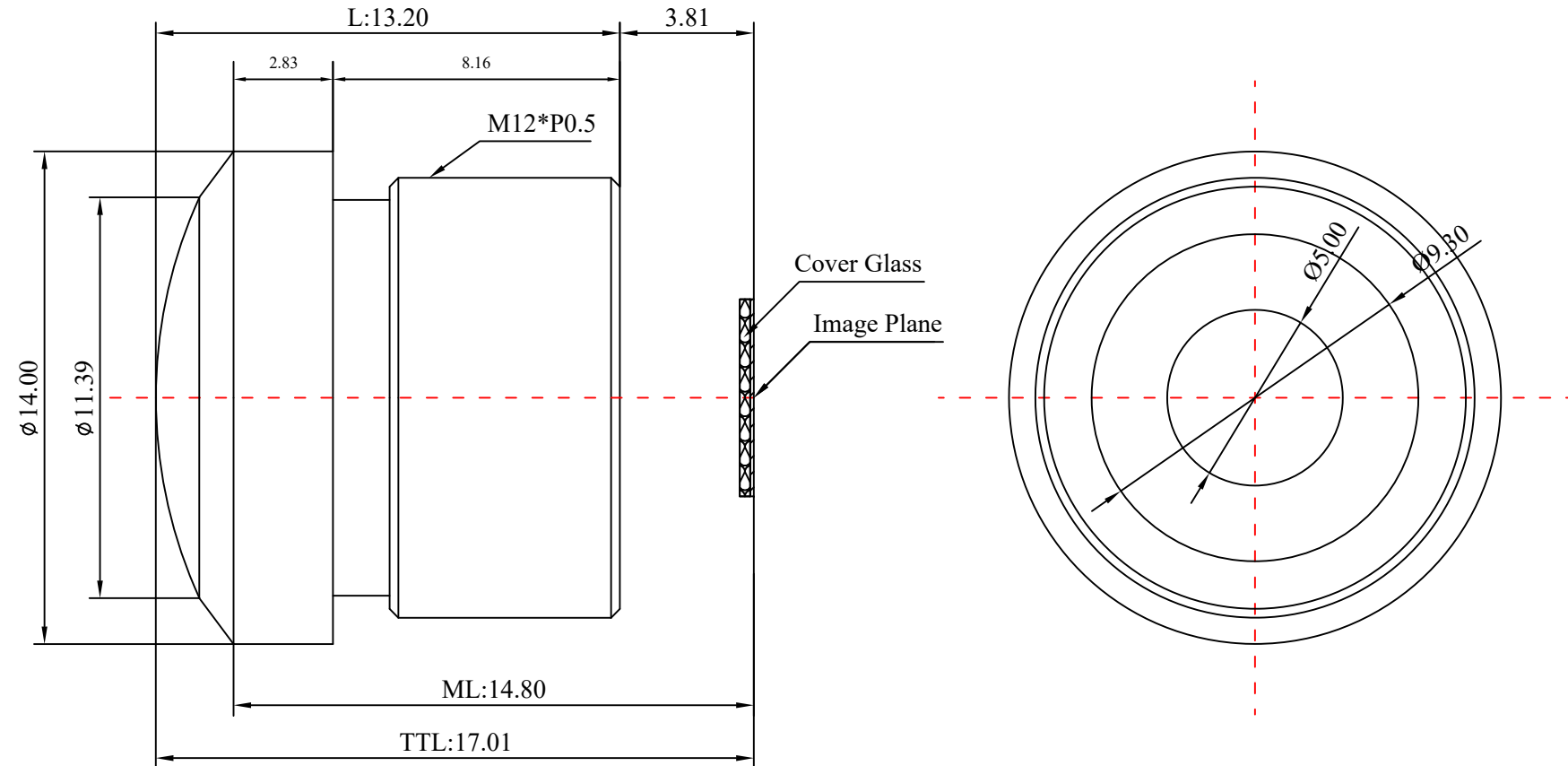
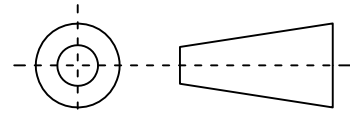


1	Type	Wide Angle Lens			
2	Resolution	5MP			
3	Image Format	1/2.7" & 1/3" & 1/4"			
4	Image Circle	φ6.8mm(MAX)			
5	EFL	1.83mm			
6	TTL	17.01mm			
7	F/NO.	2.0			
8	FFL (M)	3.81mm			
9	BFL (O)	4.61mm			
10	For Sensor	1/2.7"	1/3"	1/4"	
11	F.O.V	Horizontal	160°	135°	110°
12		Vertical	105°	95°	78°
13		Diagonal	190°	170°	130°
14	TV Distortion	<-20%			
15	Relative Ill.	>65%			
16	Chief Ray Angle	<15°			
17	M.O.D	0.1m~∞			
18	Mount Type	M12*P0.5			
19	Dimension Figure	φ14.00*L13.20mm			
20	Lens Structure	6G			
21	IR-Filter	Non-IR			
22	Waterproof	IP67			
23	Weight	4.8g			
24	Iris Operation	Fixed			
25	Zoom Operation	Fixed			
26	Focus Operation	Manual			
27	Operating Temperature	-20° ~+85°			
28	Storage Temperature	-20° ~+85°			



Scale	Remark	Tolerances	Date	Revised	
5 : 1	X	±0.2	2019-09-20	CH341D Rev1.0	
	X.0	±0.15			
Units	X.00	±0.10	Design	Linda	2015-05-09
	X.000	±0.001	Checked	Anna	2015-07-10
mm	Angle	±0.5°	Approval	Sanmu	2015-07-11

福州创安光电科技有限公司
 FUZHOU CHUANGAN OPTICS CO., LTD



3D Angle Projection