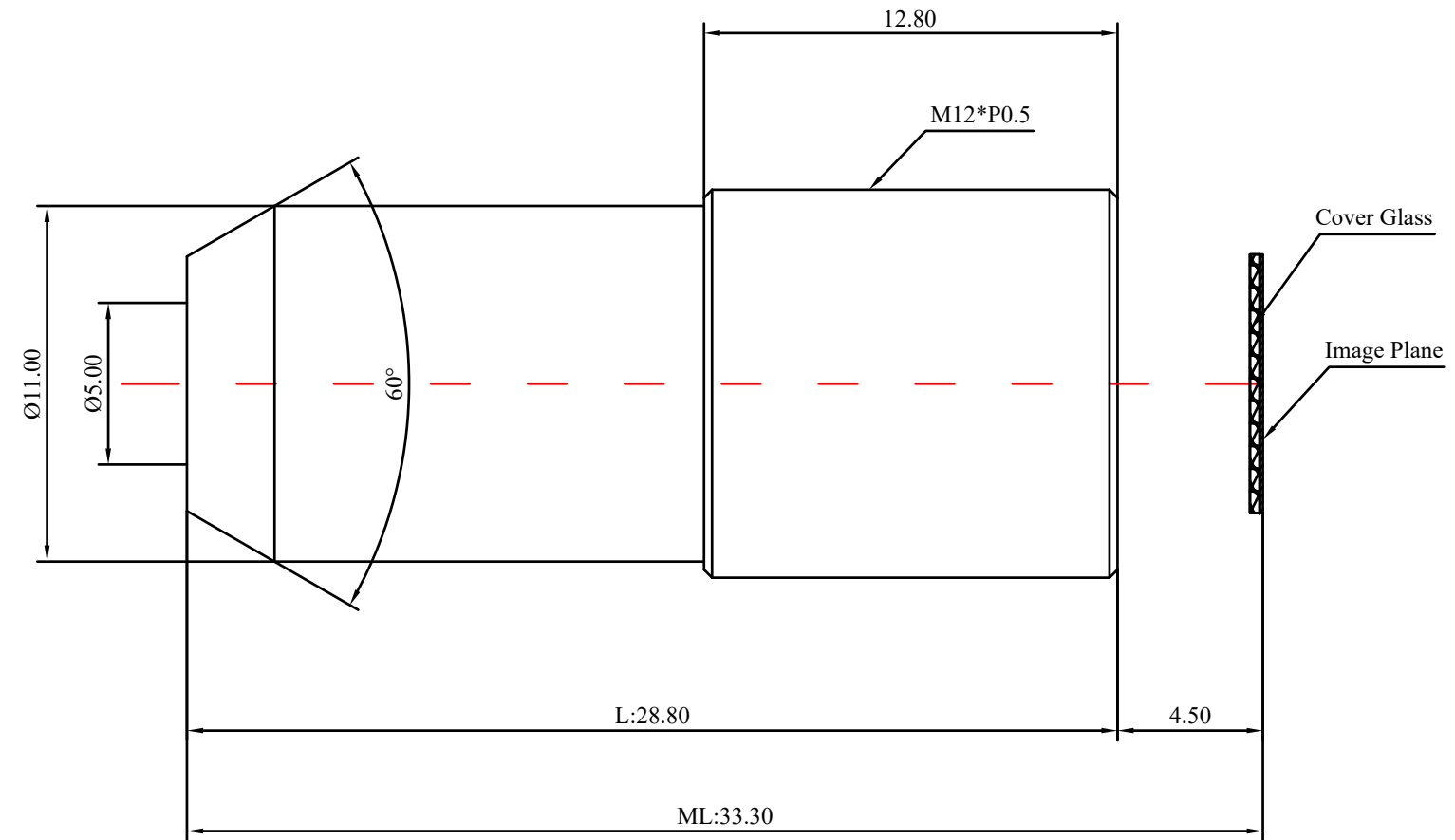


1	Type	Pinhole Lens	
2	Resolution	1.3MP	
3	Image Format	1/2.7"	
4	Image Circle	φ6.8mm(MAX)	
5	EFL	30mm	
6	ML	33.3mm	
7	F/NO.	F3.0	
8	FFL (M)	4.5mm	
9	BFL (O)	5.6mm	
10	For Sensor	1/2.7"	
11	F.O.V	Horizontal	/
12		Vertical	/
13		Diagonal	9.6°
14	TV Distortion	/	
15	Relative Ill.	/	
16	Chief Ray Angle	/	
17	M.O.D	0.2m~∞	
18	Mount Type	M12*P0.5	
19	Dimension Figure	Ø12.0*L28.8mm	
20	Lens Structure	/	
21	IR-Filter	Non-IR	
22	Waterproof	No	
23	Weight	/	
24	Iris Operation	Fixed	
25	Zoom Operation	Fixed	
26	Focus Operation	Manual	
27	Operating Temperature	-25° ~+85°	
28	Storage Temperature	-25° ~+85°	



Scale	Remark	Tolerances	Date	Revsied		福州创安光电科技有限公司 FUZHOU CHUANGAN OPTICS CO., LTD
4: 1	X	±0.2	2025-12-25	CH3310C Rev1.0		
	X.0	±0.15				
Units	X.00	±0.10	Design	Linda	2018-06-08	
	X.000	±0.001	Checked	Anna	2018-08-21	
mm	Angle	±0.05°	Approval	Sanmu	2018-08-25	

