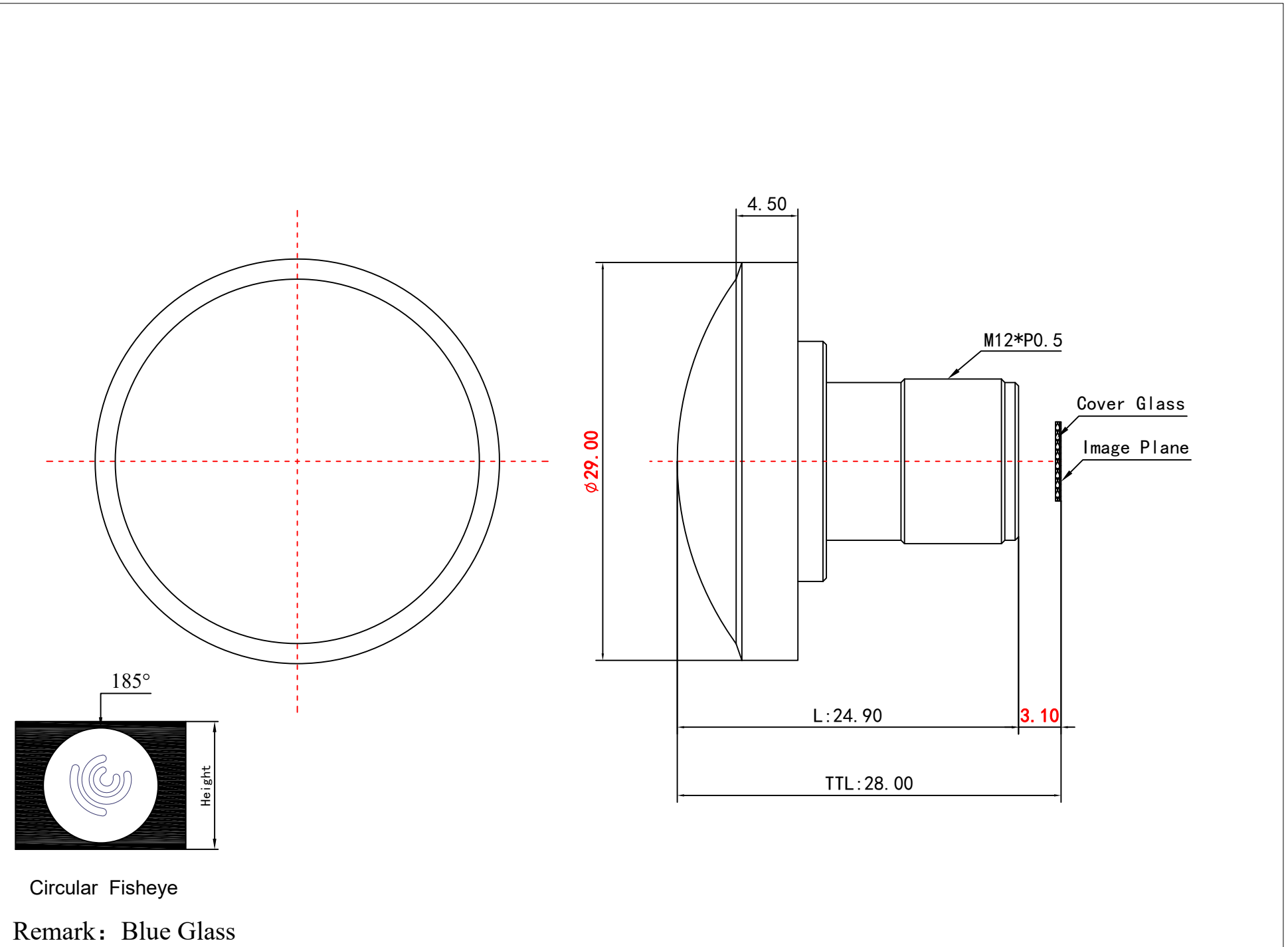
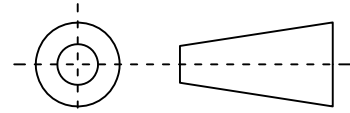


1	Type	Fisheye Lens	
2	Resolution	8MP	
3	Image Format	1/2.8"	
4	Image Circle	φ3.88mm(MAX)	
5	EFL	1.19mm	
6	TTL	28.00mm	
7	F/NO.	2.0	
8	FFL (M)	3.10mm	
9	BFL (O)	3.11mm	
10	For Sensor	IMX335	
11	F.O.V	Horizontal	185°
12		Vertical	185°
13		Diagonal	185°
14	OPT Distortion	<-97.5%	
15	Relative Ill.	>87%	
16	Chief Ray Angle	<10°	
17	M.O.D	0.1m~∞	
18	Mount Type	M12*P0.5	
19	Dimension Figure	φ29.0*L24.9mm	
20	Lens Structure	10G	
21	IR-Filter	T=50%&IR650nm±10nm	
22	Waterproof	No	
23	Weight	16g	
24	Iris Operation	Fixed	
25	Zoom Operation	Fixed	
26	Focus Operation	Manual	
27	Operating Temperature	-20° ~+85°	
28	Storage Temperature	-20° ~+85°	



Scale	Remark	Tolerances	Date	Revised		福州创安光电科技有限公司 FUZHOU CHUANGAN OPTICS CO., LTD
4:1	X	±0.2	2021-02-27	CH327CB Rev1.0		
	X.0	±0.15				
Units	X.00	±0.10	Design	Linda	2019-08-03	 3D Angle Projection
	X.000	±0.001	Checked	Anna	2019-08-13	
mm	Angle	±0.5°	Approval	Sanmu	2019-09-20	