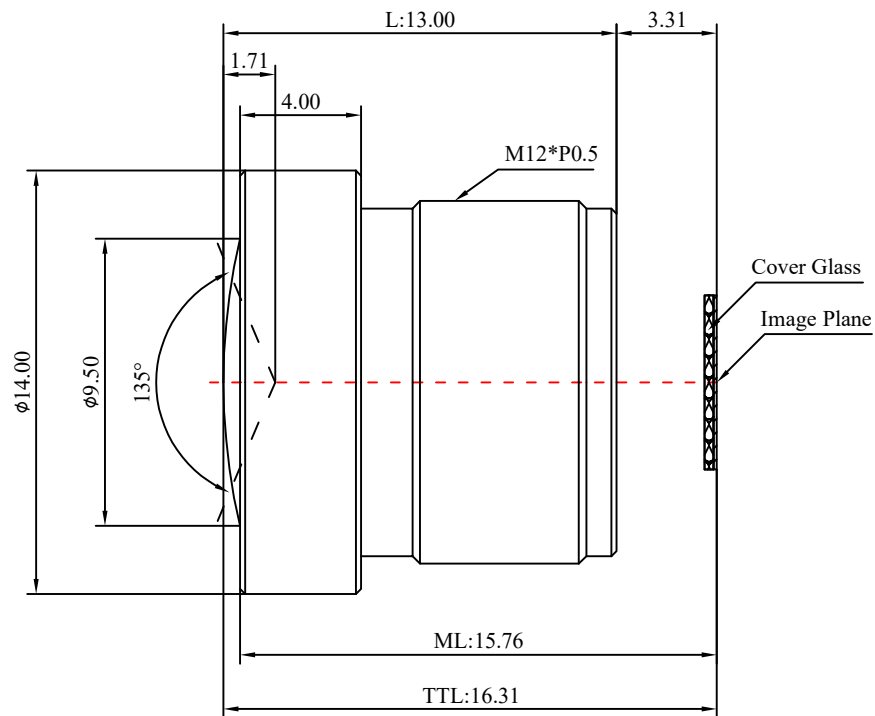




PRODUCT: CH2698A

1	Type	Wide Angle Lens	
2	Resolution	16MP	
3	Image Format	1/2.3"	
4	Image Circle	φ8.0mm(MAX)	
5	EFL	3.57mm	
6	TTL	16.31mm	
7	F/NO.	2.5	
8	FFL (M)	3.31mm	
9	BFL (O)	4.50mm	
10	For Sensor	1/2.3"	
11	F.O.V	Horizontal	108°
12		Vertical	81°
13		Diagonal	135°
14	TV Distortion	<-18%	
15	Relative Ill.	>72%	
16	Chief Ray Angle	<13°	
17	M.O.D	0.1m~∞	
18	Mount Type	M12*P0.5-6g	
19	Dimension Figure	φ14.00*L13.00mm	
20	Lens Structure	4G+2MO	
21	IR-Filter	T=50% & 650±10nm	
22	Waterproof	No	
23	Weight	3.8g	
24	Iris Operation	Fixed	
25	Zoom Operation	Fixed	
26	Focus Operation	Manual	
27	Operating Temperature	-20° ~+85°	
28	Note	Free of Oil and Grease	



Scale	Remark	Tolerances	Date	Revised		福州创安光电科技有限公司 FUZHOU CHUANGAN OPTICS CO., LTD
4:1	X	±0.2	2019-07-08	CH2698A Rev1.0		
Untis	X.00	±0.10	Design	Linda	2017-06-16	 3D Angle Projection
	X.000	±0.001	Checked	Anna	2017-09-03	
mm	Angle	±0.5°	Approval	Sanmu	2017-09-05	