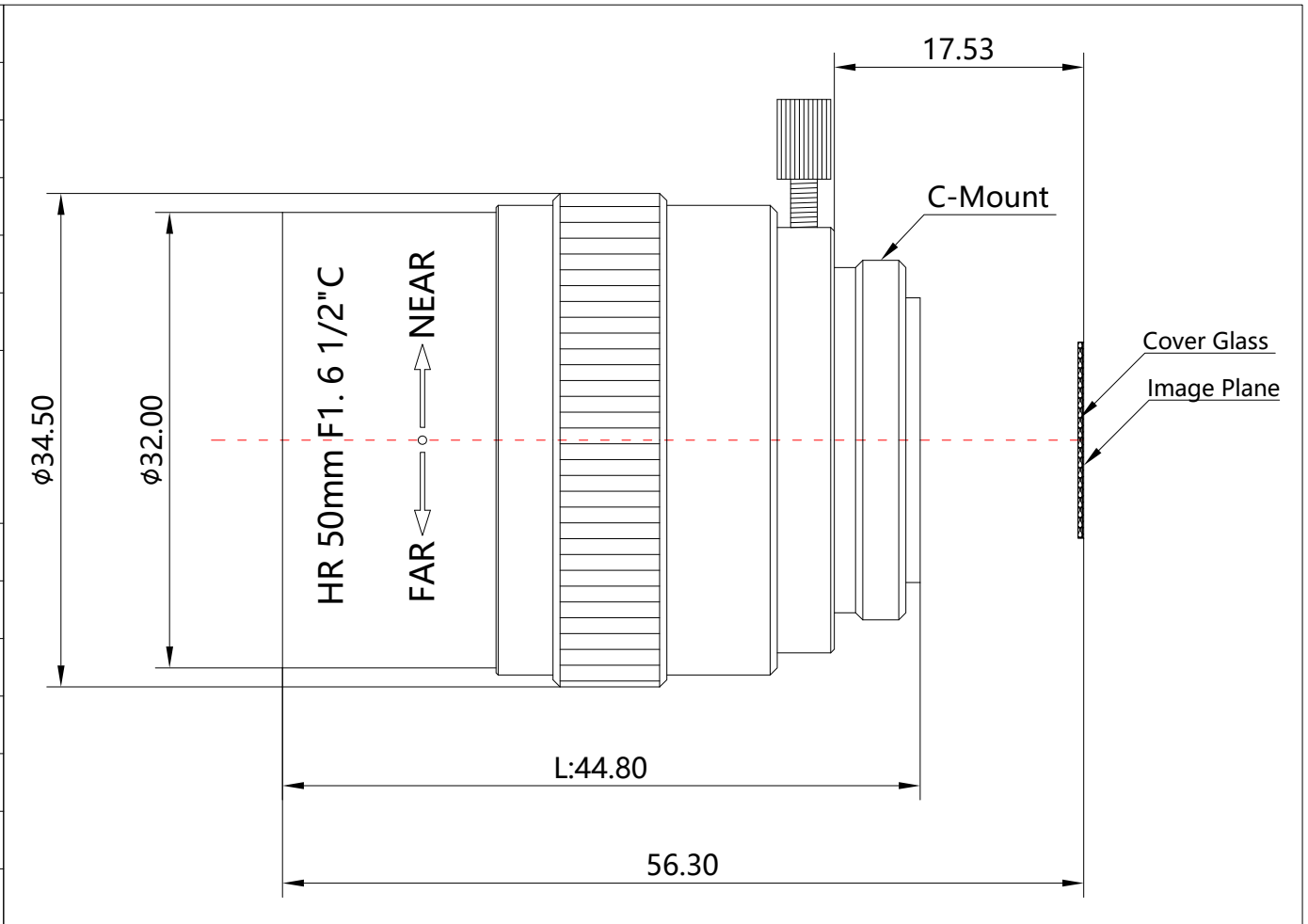
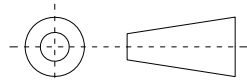


| | | | |
|----|-----------------------|---------------------|-------------------|
| 1 | Type | Machine Vision Lens | |
| 2 | EFL | 50mm | |
| 3 | F.NO | 1.6~16 | |
| 4 | Resolution | MP | |
| 5 | Image Format | 1/2" | |
| 6 | BFL (O) | 17.53 | |
| 7 | F.O.V | 1/2" | H7.0°*V5.2°*D8.7° |
| 8 | | | |
| 9 | | | |
| 10 | TV Distortion | <1.5% | |
| 11 | M.O.D | 0.3m | |
| 12 | Mount Type | C/CS | |
| 13 | Dimension Figure | φ34.50*L44.80mm | |
| 14 | Filter Size | No | |
| 15 | Weight | 80g | |
| 16 | Color | Black | |
| 17 | Iris Operation | Manual | |
| 18 | Zoom Operation | Fixed | |
| 19 | Focus Operation | Manual | |
| 20 | Operating Temperature | -20° ~ +85° | |
| 21 | Storage Temperature | -20° ~ +85° | |



| Scale | Remark | Tolerances | Date | Revsied | |
|--------|--------|------------|------------|---------------|------------|
| 1.5: 1 | X | ±0.2 | 2019-08-23 | CH256A Rev1.0 | |
| | X.0 | ±0.15 | | | |
| Units | X.00 | ±0.10 | Design | Linda | 2017-03-07 |
| | X.000 | ±0.001 | Checked | Anna | 2017-03-28 |
| mm | Angle | ±0.5° | Approval | Sanmu | 2017-05-16 |

福州创安光电科技有限公司
FUZHOU CHUANGAN OPTICS CO., LTD



3D Angle Projection