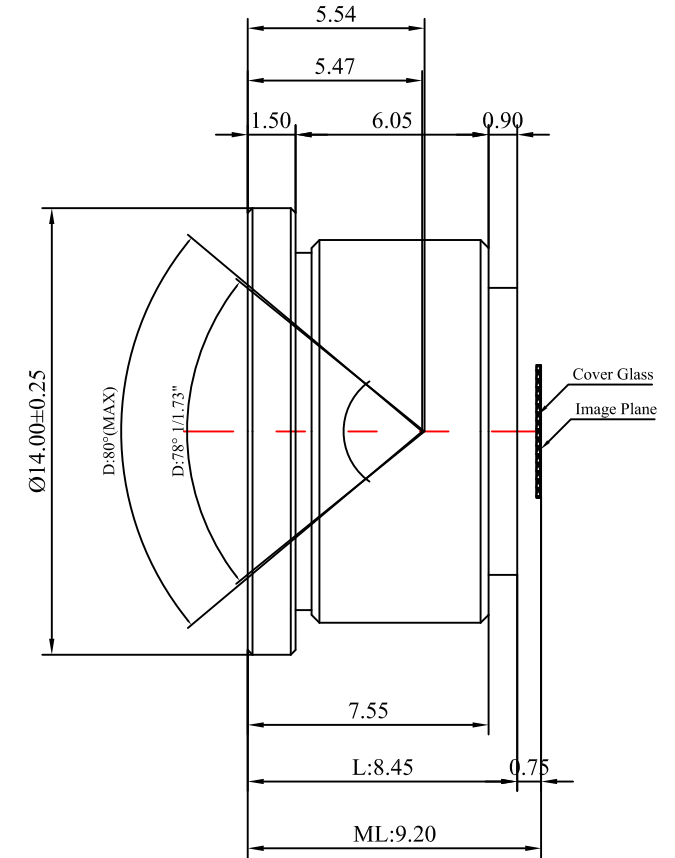
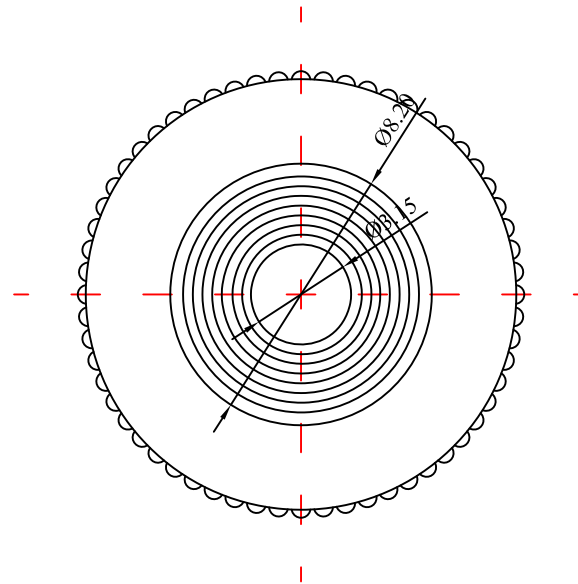
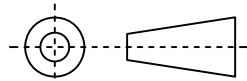


1	Type	M12 Lens	
2	Resolution	46MP	
3	Image Format	1/1.73"	
4	Image Circle	φ9.49mm(MAX)	
5	EFL	5.563mm	
6	TTL	6.20mm	
7	F/NO.	F1.8	
8	FFL (M)	0.90mm	
9	BFL (O)	1.38mm	
10	For Sensor	1/1.73"	
11	F.O.V	Horizontal	66.0°@7.358mm
12		Vertical	52.0°@5.503mm
13		Diagonal	78.0°@9.190mm
14	TV Distortion	<-1.0%	
15	Relative Ill.	>28.9%	
16	Chief Ray Angle	<34.4°	
17	M.O.D	0.1m~∞	
18	Mount Type	M12*P0.5	
19	Dimension Figure	φ14.0*L8.45mm	
20	Lens Structure	6P	
21	IR-Filter	IR650nm	
22	Waterproof	No	
23	Weight	0.7g	
24	Iris Operation	Fixed	
25	Zoom Operation	Fixed	
26	Focus Operation	Manual	
27	Operating Temperature	-15° ~+45°	
28	Storage Temperature	-15° ~+45°	



Scale	Remark	Tolerances	Date	Revised		福州创安光电科技有限公司 FUZHOU CHUANGAN OPTICS CO., LTD
4:1	X	±0.2	2023-06-28	CH2033BB Rev1.0		
Units	X.0	±0.15				 3D Angle Projection
	X.00	±0.10	Design	Linda	2023-04-27	
mm	X.000	±0.001	Checked	Anna	2023-05-16	
	Angle	±0.5°	Approval	Sanmu	2023-05-23	