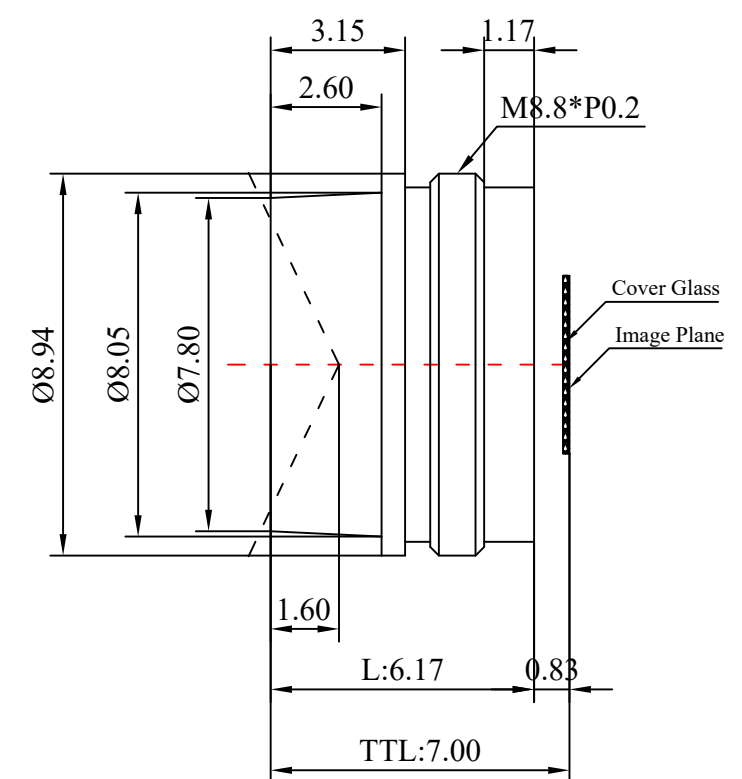
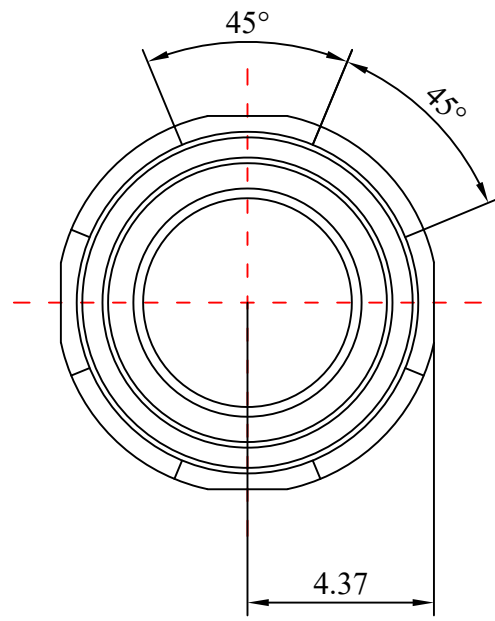




PRODUCT: CH2029A

1	Type	M8.8 Lens	
2	Resolution	20MP	
3	Image Format	1/2.8"	
4	Image Circle	φ6.575mm(MAX)	
5	EFL	1.95mm	
6	TTL	7.0mm	
7	F/NO.	F2.2	
8	FFL (M)	0.83mm	
9	BFL (O)	0.94mm	
10	For Sensor	1/2.8"	
11	F.O.V	Horizontal	111.4°
12		Vertical	91.1°
13		Diagonal	128°
14	TV Distortion	<-29.3%	
15	Relative Ill.	>22.2%@6.476mm	
16	Chief Ray Angle	<37°	
17	M.O.D	0.1m~∞	
18	Mount Type	M8.8*P0.2	
19	Dimension Figure	φ8.94*L6.17mm	
20	Lens Structure	7E	
21	IR-Filter	Non-IR	
22	Waterproof	No	
23	Weight	---	
24	Iris Operation	Fixed	
25	Zoom Operation	Fixed	
26	Focus Operation	Manual	
27	Operating Temperature	-15° ~+45°	
28	Storage Temperature	-15° ~+45°	



Scale	Remark	Tolerances	Date	Revised		福州创安光电科技有限公司 FUZHOU CHUANGAN OPTICS CO., LTD
4:1	X	±0.2	2022-06-07	CH2029A Rev1.0		
Units	X.00	±0.10	Design	Linda	2022-04-27	 3D Angle Projection
	X.000	±0.001	Checked	Anna	2022-05-16	
mm	Angle	±0.5°	Approval	Sanmu	2022-05-23	