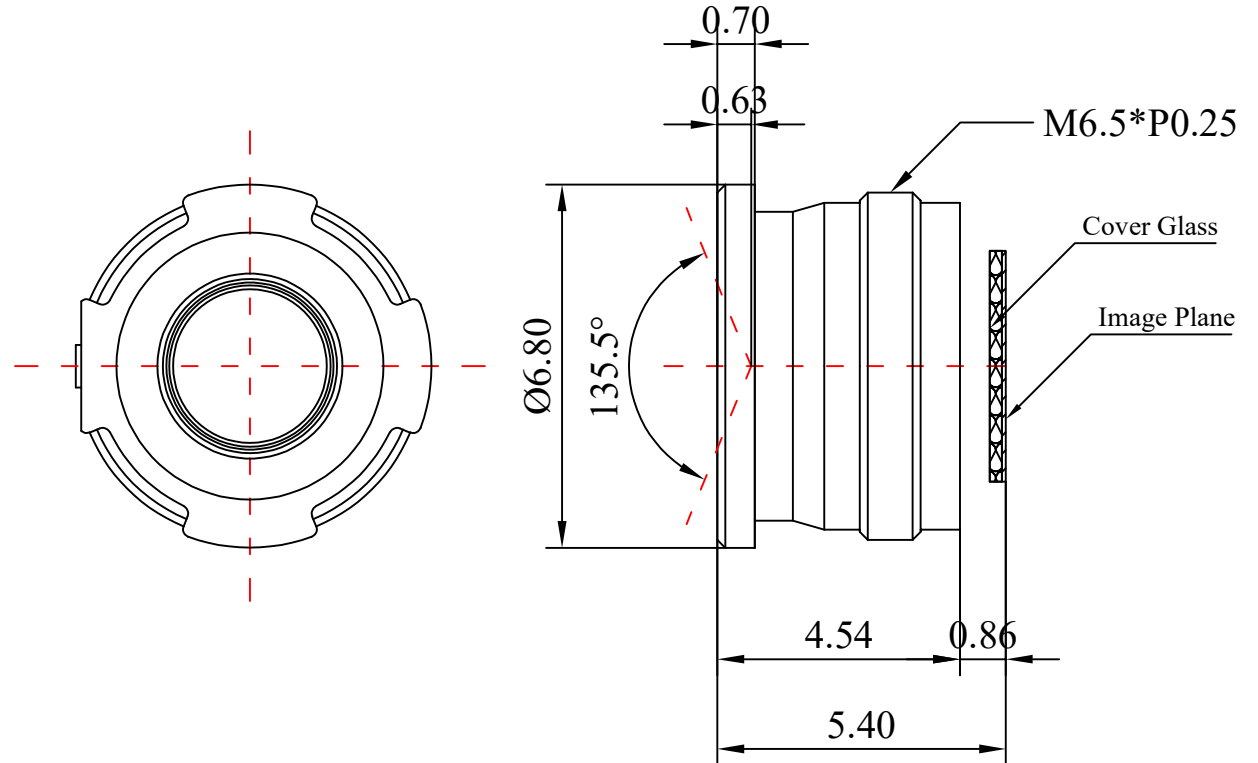




PRODUCT: CH2024A

1	Type	M6.5 Lens	
2	Resolution	16MP	
3	Image Format	1/3"	
4	Image Circle	φ6.0mm(MAX)	
5	EFL	2.5mm	
6	TTL	5.4mm	
7	F/NO.	2.4	
8	FFL (M)	0.86mm	
9	BFL (O)	1.20mm	
10	For Sensor	1/3"	
11	F.O.V	Horizontal	120°
12		Vertical	87°
13		Diagonal	135.5°
14	TV Distortion	<-1.5%	
15	Relative Ill.	>28.5%	
16	Chief Ray Angle	<28°	
17	M.O.D	0.1m~∞	
18	Mount Type	M6.5*P0.25	
19	Dimension Figure	φ6.5*L4.54mm	
20	Lens Structure	6P	
21	IR-Filter	Non-IR	
22	Waterproof	---	
23	Weight	---	
24	Iris Operation	Fixed	
25	Zoom Operation	Fixed	
26	Focus Operation	Manual	
27	Operating Temperature	-15° ~+45°	
28	Storage Temperature	-15° ~+45°	



Scale	Remark	Tolerances	Date	Revised	
4:1	X	±0.2	2022-04-13	CH2024A Rev1.0	
	X.0	±0.15			
Units	X.00	±0.10	Design	Linda	2022-02-27
	X.000	±0.001	Checked	Anna	2022-03-16
mm	Angle	±0.5°	Approval	Sanmu	2022-04-12

福州创安光电科技有限公司
FUZHOU CHUANGAN OPTICS CO., LTD

3D Angle Projection