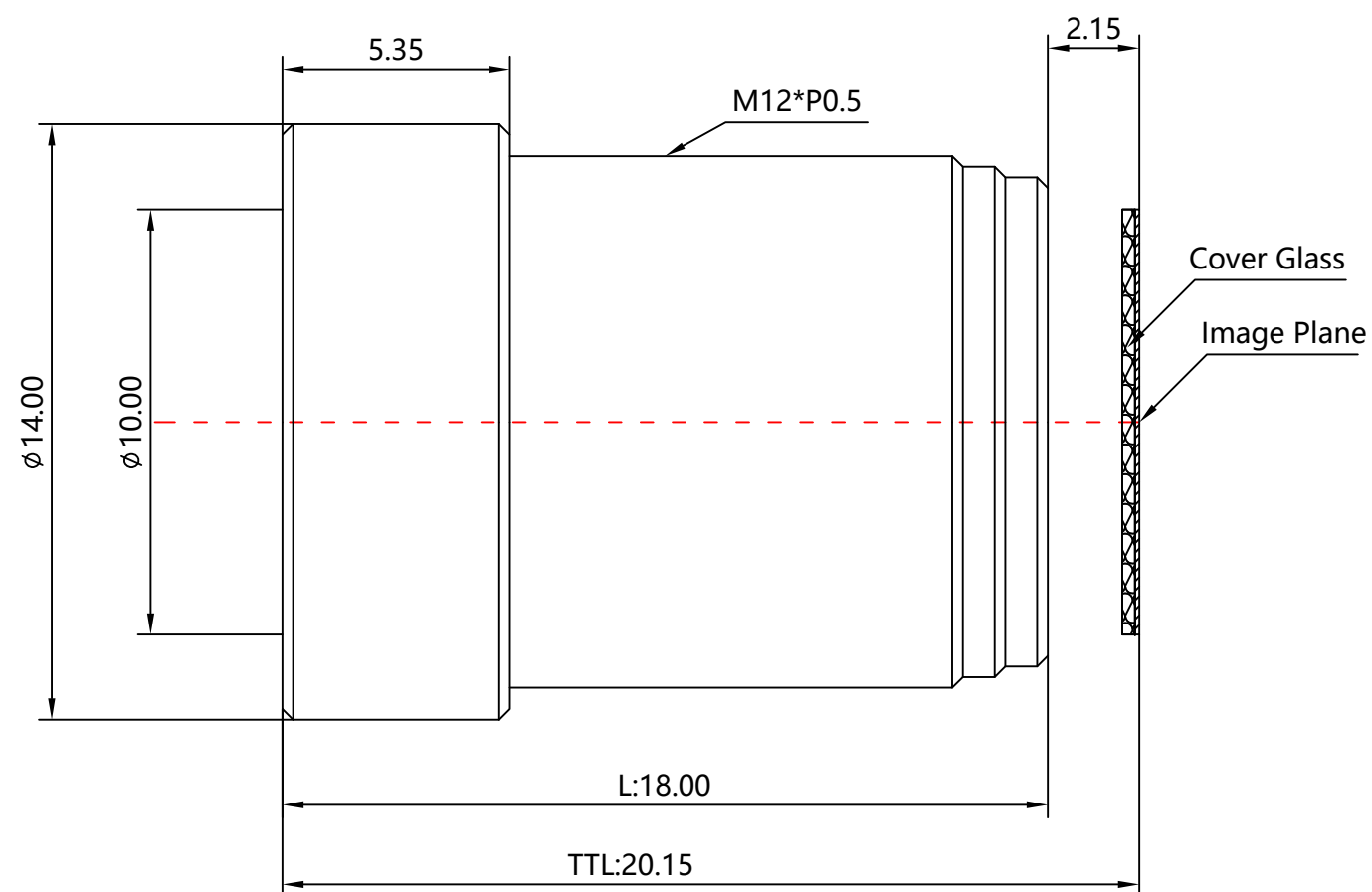
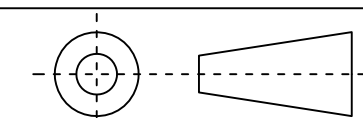


1	Type	Scan Lens	
2	Resolution	MP	
3	Image Format	1/2.5"	
4	Image Circle	φ8.0mm(MAX)	
5	EFL	2.97mm	
6	TTL	20.15mm	
7	F/NO.	3.5	
8	FFL (M)	2.15mm	
9	BFL (O)	3.55mm	
10	For Sensor	1/2.5"	
11	F.O.V	Horizontal	88°
12		Vertical	57°
13		Diagonal	105°
14	TV Distortion	<-1%	
15	Relative Ill.	>50%	
16	Chief Ray Angle	<15°	
17	M.O.D	0.1m~∞	
18	Mount Type	M12*P0.5	
19	Dimension Figure	φ14.0*L18.00mm	
20	Lens Structure	3G2P	
21	IR-Filter	No IR	
22	Weight	3.1g	
23	Iris Operation	Fixed	
24	Zoom Operation	Fixed	
25	Focus Operation	Manual	
26	Operating Temperature	-10° ~+55°	
27	Storage Temperature	-10° ~+45°	



Scale	Remark	Tolerances	Date	Revised		福州创安光电科技有限公司 FUZHOU CHUANGAN OPTICS CO., LTD
4: 1	X	± 0.2	2019-06-17	CH1962A Rev1.1		
	X.0	± 0.15				
Units	X.00	± 0.10	Design	Linda	2015-04-15	
	X.000	± 0.001	Checked	Anna	2015-04-15	
mm	Angle	± 0.5°	Approval	Sanmu	2015-04-15	


3D Angle Projection