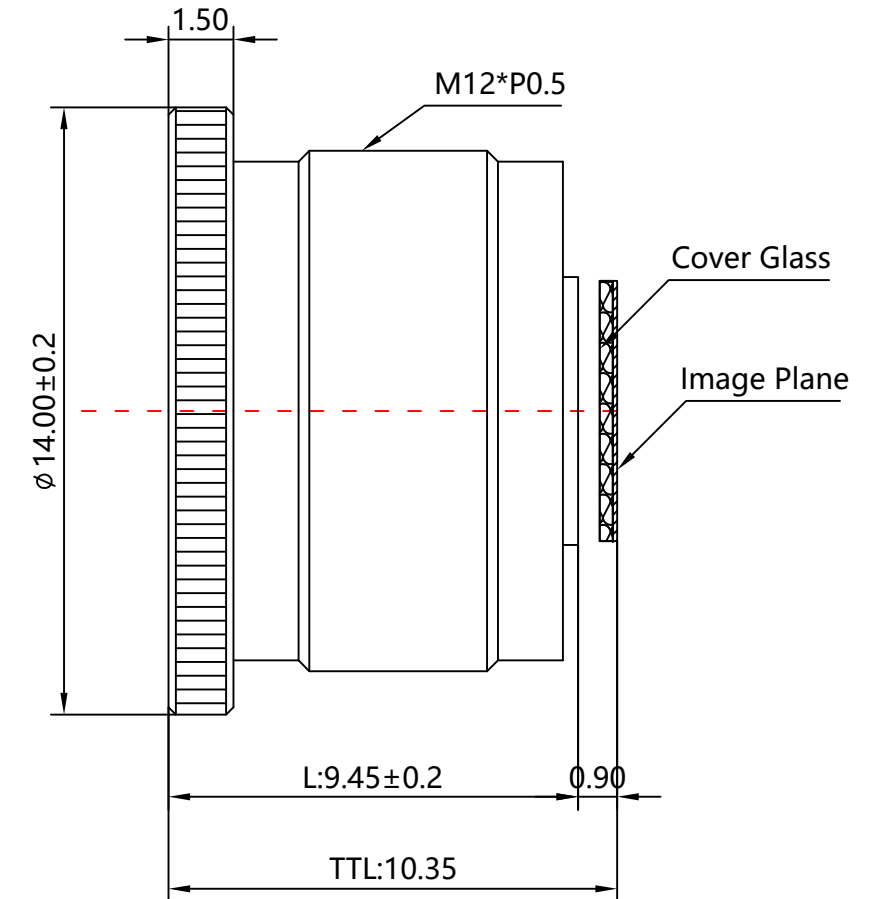
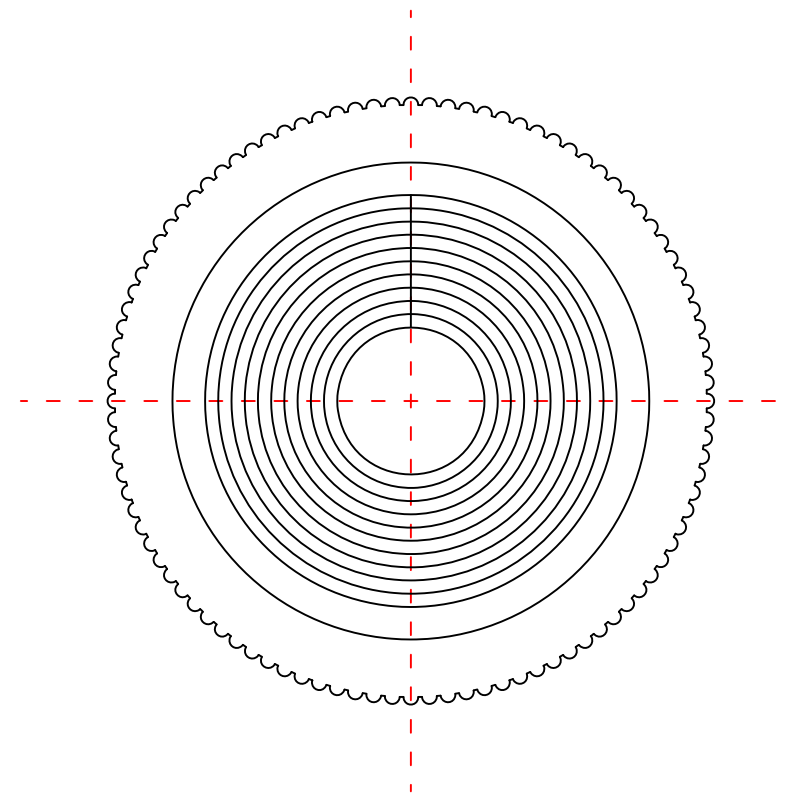


1	Type	Scan Lens	
2	Resolution	MP	
3	Image Format	1/3"	
4	Image Circle	φ6.1mm(MAX)	
5	EFL	3.55mm	
6	TTL	10.35mm	
7	F/NO.	6.5	
8	FFL (M)	0.90mm	
9	BFL (O)	0.95mm	
10	For Sensor	1/4"	
11	F.O.V	Horizontal	54°
12		Vertical	43°
13		Diagonal	70°
14	TV Distortion	<1%	
15	Relative Ill.	>50%	
16	Chief Ray Angle	<10°	
17	M.O.D	0.01m~∞	
18	Mount Type	M12*P0.5	
19	Dimension Figure	φ14.0*L9.40mm	
20	Lens Structure	4E+IR	
21	IR-Filter	T=50%&IR650nm±10nm	



22	Weight	0.9g	Scale	Remark	Tolerances	Date	Revised		福州创安光电科技有限公司 FUZHOU CHUANGAN OPTICS CO., LTD
23	Iris Operation	Fixed		4: 1	X	± 0.2	2019-11-27	CH1950G Rev1.0	
24	Zoom Operation	Fixed	Units		X.0	± 0.15			
25	Focus Operation	Manual		mm	X.00	± 0.10	Design	Linda	2016-08-07
26	Operating Temperature	-20° ~+85°	X.000		± 0.001	Checked	Anna	2016-10-08	
27	Storage Temperature	-20° ~+85°	Angle	± 0.5°	Approval	Sanmu	2016-10-13		