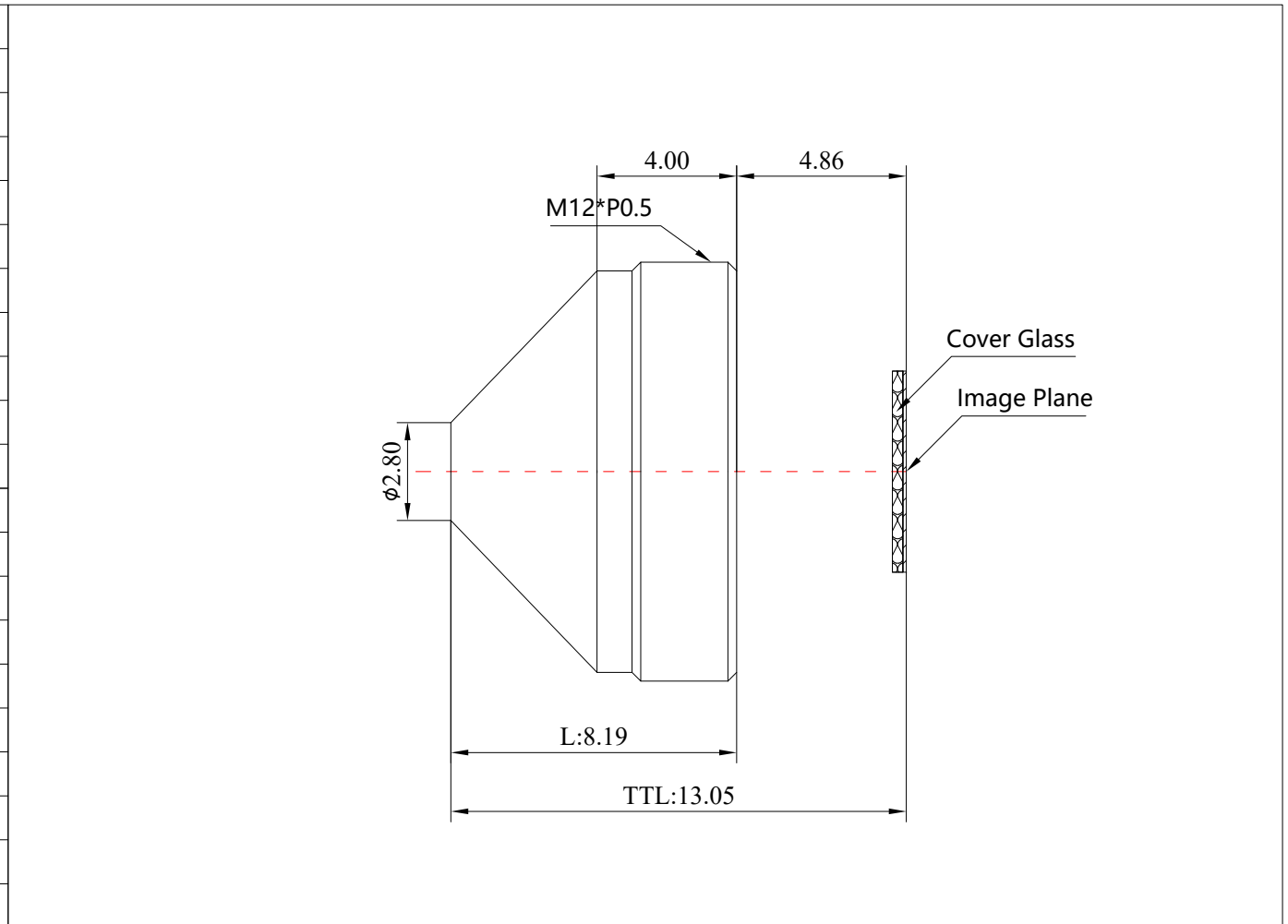


1	Type	Pinhole Lens	
2	Resolution	MP	
3	Image Format	1/3"	
4	Image Circle	φ6.0mm(MAX)	
5	EFL	2.8mm	
6	TTL	13.05mm	
7	F/NO.	2.5	
8	FFL (M)	4.86mm	
9	BFL (O)	5.97mm	
10	For Sensor	1/3"	
11	F.O.V	Horizontal	90°
12		Vertical	62°
13		Diagonal	120°
14	TV Distortion	<-20%	
15	Relative Ill.	>60%	
16	Chief Ray Angle	<13°	
17	M.O.D	0.1m~∞	
18	Mount Type	M12*P0.5	
19	Dimension Figure	φ12.00*L8.19mm	
20	Lens Structure	4G	
21	IR-Filter	T=50%&IR650±10nm	
22	Weight	3.5g	
23	Iris Operation	Fixed	
24	Zoom Operation	Fixed	
25	Focus Operation	Manual	
26	Operating Temperature	-20° ~+85°	
27	Storage Temperature	-20° ~+85°	



Scale	Remark	Tolerances	Date	Revised		福州创安光电科技有限公司 FUZHOU CHUANGAN OPTICS CO., LTD
5: 1	X	± 0.1	2019-05-12	CH1936A Rev1.0		
	X.0	± 0.05				
Units	X.00	± 0.03	Design	Linda	2017-01-05	
	X.000	± 0.001	Checked	Anna	2017-03-13	
mm	Angle	± 0.5°	Approval	Sanmu	2017-03-19	

