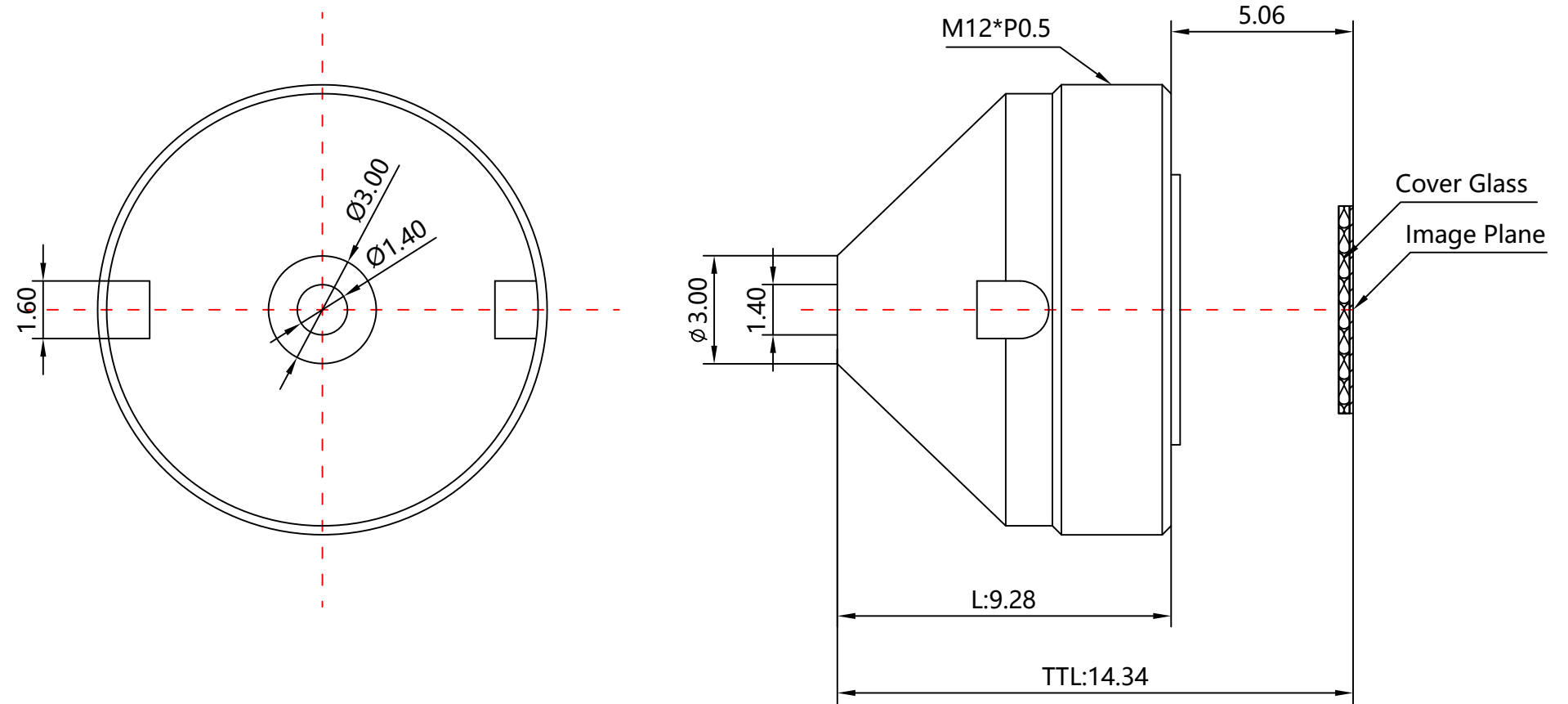
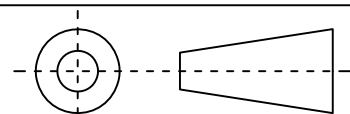


| | | | |
|----|-----------------------|------------------|-----|
| 1 | Type | Pinhole lens | |
| 2 | Resolution | MP | |
| 3 | Image Format | 1/2.7" | |
| 4 | Image Circle | φ6.8mm(MAX) | |
| 5 | EFL | 4.3mm | |
| 6 | TTL | 14.56mm | |
| 7 | F/NO. | 2.5 | |
| 8 | FFL (M) | 5.06mm | |
| 9 | BFL (O) | 5.78mm | |
| 10 | For Sensor | 1/2.7" | |
| 11 | F.O.V | Horizontal | 75° |
| 12 | | Vertical | 56° |
| 13 | | Diagonal | 93° |
| 14 | TV Distortion | <-13% | |
| 15 | Relative Ill. | >63% | |
| 16 | Chief Ray Angle | <8.6° | |
| 17 | M.O.D | 0.1m~∞ | |
| 18 | Mount Type | M12*P0.5-6g | |
| 19 | Dimension Figure | φ12.00*L9.28mm | |
| 20 | Lens Structure | 6G | |
| 21 | IR-Filter | T=50%&IR650±10nm | |
| 22 | Weight | 1.8g | |
| 23 | Iris Operation | Fixed | |
| 24 | Zoom Operation | Fixed | |
| 25 | Focus Operation | Manual | |
| 26 | Operating Temperature | -20° ~+85° | |
| 27 | Storage Temperature | -20° ~+85° | |



| Scale | Remark | Tolerances | Date | Revised | |
|-------|--------|------------|------------|----------------|------------|
| 5: 1 | X | ± 0.2 | 2019-05-12 | CH1927A Rev1.0 | |
| | X.0 | ± 0.15 | | | |
| Units | X.00 | ± 0.10 | Design | Linda | 2017-01-15 |
| | X.000 | ± 0.001 | Checked | Anna | 2017-03-15 |
| mm | Angle | ± 0.5° | Approval | Sanmu | 2017-04-12 |

福州创安光电科技有限公司
 FUZHOU CHUANGAN OPTICS CO., LTD



3D Angle Projection