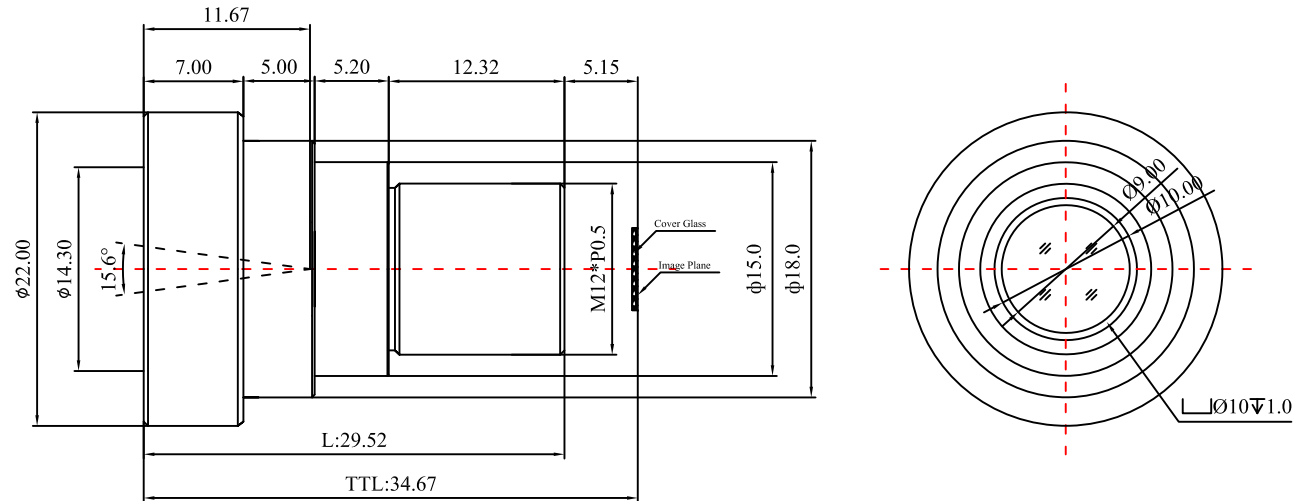
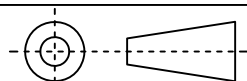


1	Type	Low Distortion Lens	
2	Resolution	5MP	
3	Image Format	1/1.8"	
4	Image Circle	φ9.0mm(MAX)	
5	EFL	35mm	
6	TTL	34.67mm	
7	F/NO.	2.8	
8	FFL (M)	5.15mm	
9	BFL (O)	7.6mm	
10	For Sensor	1/1.8"	
11	F.O.V	Horizontal	11.2°
12		Vertical	10°
13		Diagonal	15.6°
14	TV Distortion	<-2%	
15	Relative Ill.	>60%	
16	Chief Ray Angle	<10.2°	
17	M.O.D	0.3m~∞	
18	Mount Type	M12*P0.5	
19	Dimension Figure	φ22.0*L29.52mm	
20	Lens Structure	5G All Glass	
21	IR-Filter	Non IR	
22	Weight	16.6g	
23	Iris Operation	Fixed	
24	Zoom Operation	Fixed	
25	Focus Operation	Manual	
26	Operating Temperature	-20° ~+85°	
27	Storage Temperature	-20° ~+85°	



Scale	Remark	Tolerances	Date	Revised		福州创安光电科技有限公司 FUZHOU CHUANGAN OPTICS CO., LTD
4: 1	X	± 0.2	2019-05-19	CH173A Rev1.0		
	X.0	± 0.15				
Units	X.00	± 0.10	Design	Linda	2018-03-11	 3D Angle Projection
	X.000	± 0.001	Checked	Anna	2016-04-12	
mm	Angle	± 0.5°	Approval	Sanmu	2018-08-10	