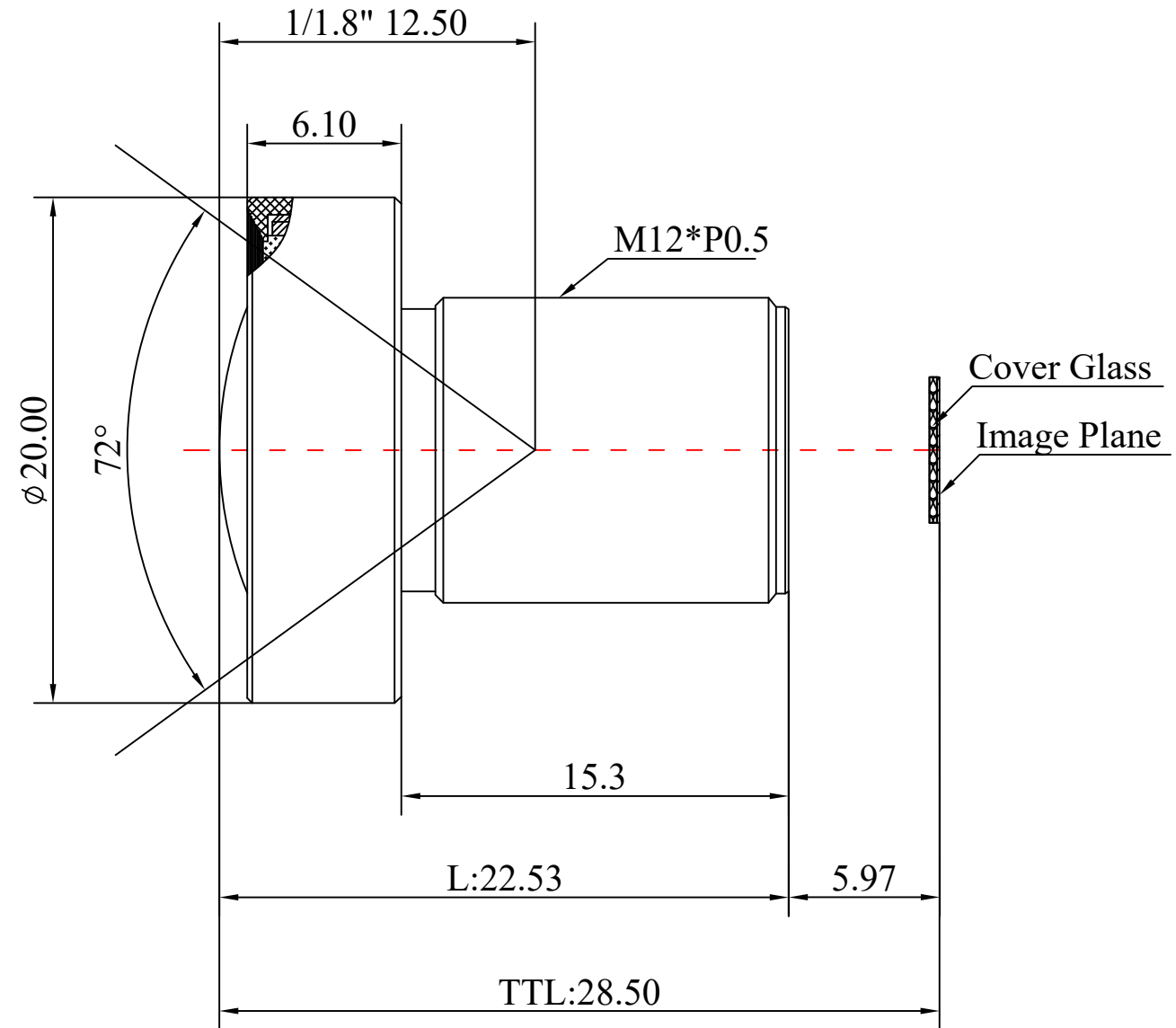


1	Type	Low Distortion Lens	
2	Resolution	8.8MP	
3	Image Format	1/1.8"	
4	Image Circle	φ9.0mm(MAX)	
5	EFL	5.5mm	
6	TTL	28.50mm	
7	F/NO.	5.6	
8	FFL (M)	5.97mm	
9	BFL (O)	8.85mm	
10	For Sensor	1/1.8"	1/3"
11	F.O.V	Horizontal	60°
12		Vertical	46°
13		Diagonal	72°
14	TV Distortion	<-0.5%	<-0.3%
15	Relative Ill.	>60%	
16	Chief Ray Angle	<24.1°	
17	M.O.D	0.1m~∞	
18	Mount Type	M12*P0.5	
19	Dimension Figure	φ20.0*L22.53mm	
20	Lens Structure	8G9E All Glass	
21	IR-Filter	Non-IR	
22	Weight	8.8g	
23	Iris Operation	Fixed	
24	Zoom Operation	Fixed	
25	Focus Operation	Manual	
26	Operating Temperature	-20° ~+85°	
27	Storage Temperature	-20° ~+85°	



Scale	Remark	Tolerances	Date	Revised		福州创安光电科技有限公司 FUZHOU CHUANGAN OPTICS CO., LTD
3: 1	X	± 0.2	2019-06-21	CH161F Rev1.0		
	X.0	± 0.15				
Units	X.00	± 0.10	Design	Linda	2017-06-10	
	X.000	± 0.001	Checked	Anna	2017-08-12	
mm	Angle	± 0.5°	Approval	Sanmu	2017-08-20	

