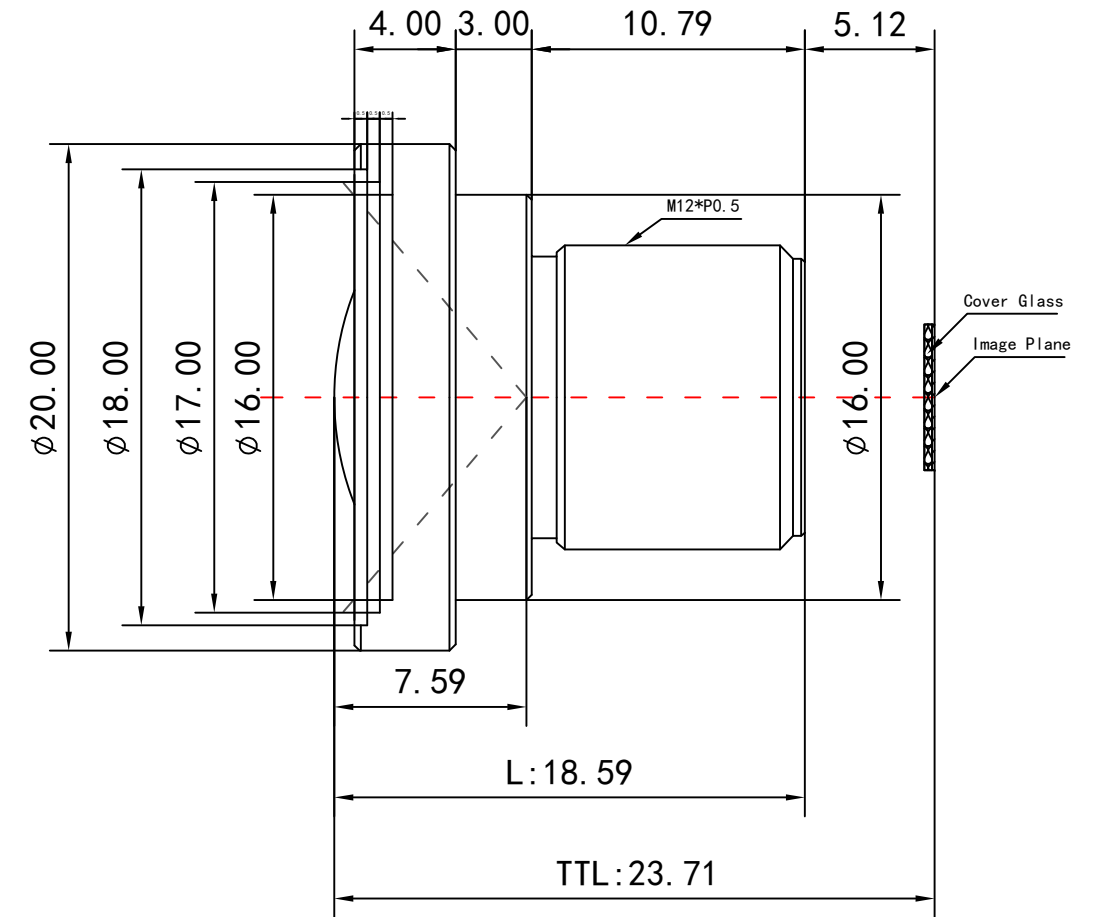
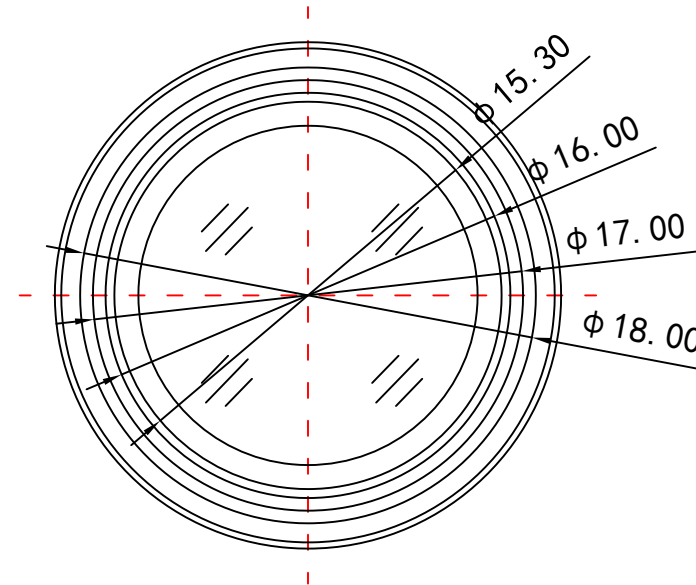


1	Type	Low Distortion Lens		
2	Resolution	8.8MP		
3	Image Format	6.4*4.8*8.0mm		
4	Image Circle	φ8.0mm(MAX)		
5	EFL	3.5mm		
6	TTL	23.71mm		
7	F/NO.	5.6		
8	FFL (M)	5.12mm		
9	BFL (O)	5.65mm		
10	For Sensor	1/2"	1/3"	
11	F.O.V	Horizontal	86°	70°
12		Vertical	70°	50°
13		Diagonal	100°	82°
14	TV Distortion	<-1%	<-0.5%	
15	Relative Ill.	>78%		
16	Chief Ray Angle	<24°		
17	M.O.D	0.1m~∞		
18	Mount Type	M12*P0.5		
19	Dimension Figure	φ20.0*L18.59mm		
20	Lens Structure	6G+1MO All Glass		
21	IR-Filter	T=50%&IR650±10nm		
22	Weight	7.3g		
23	Iris Operation	Fixed		
24	Zoom Operation	Fixed		
25	Focus Operation	Manual		
26	Operating Temperature	-20° ~+85°		
27	Storage Temperature	-20° ~+85°		



Scale	Remark	Tolerances	Date	Revised		福州创安光电科技有限公司 FUZHOU CHUANGAN OPTICS CO., LTD
4: 1	X	± 0.1	2021-06-18	CH160GB Rev1.0		
	X.0	± 0.05				
Units	X.00	± 0.03	Design	Linda	2017-02-10	
	X.000	± 0.001	Checked	Anna	2017-10-12	
mm	Angle	± 0.5°	Approval	Sanmu	2017-12-10	

