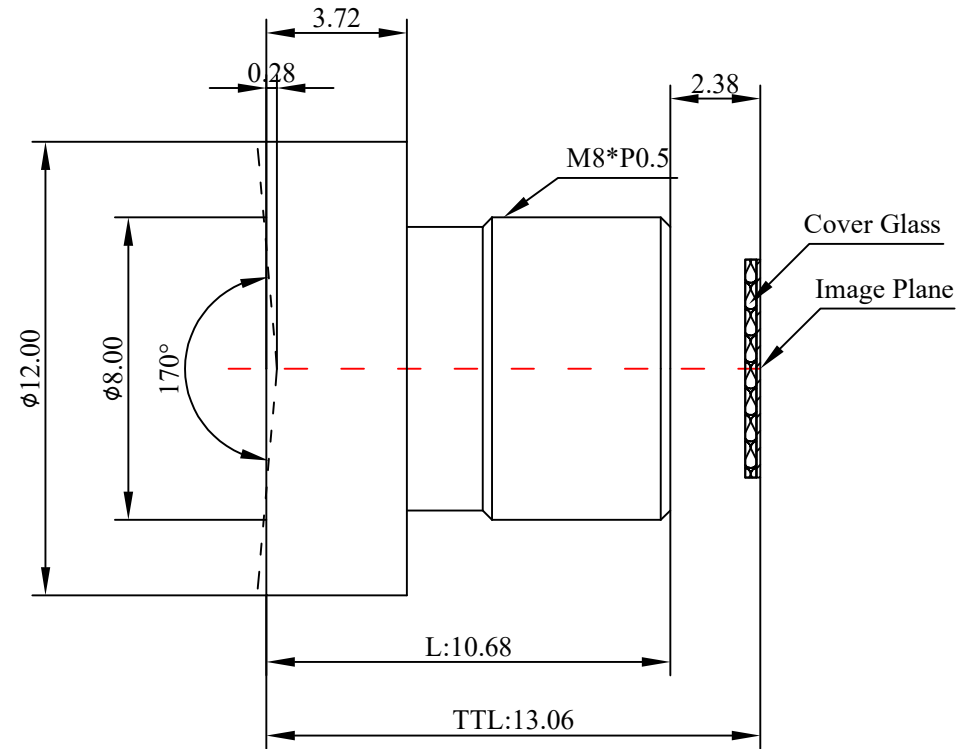




# PRODUCT: CH1308A

|    |                       |                  |      |
|----|-----------------------|------------------|------|
| 1  | Type                  | Wide Angle Lens  |      |
| 2  | Resolution            | 5MP              |      |
| 3  | Image Format          | 1/4"             |      |
| 4  | Image Circle          | φ4.8mm(MAX)      |      |
| 5  | EFL                   | 2.0mm            |      |
| 6  | TTL                   | 13.06mm          |      |
| 7  | F/NO.                 | 2.4              |      |
| 8  | FFL (M)               | 2.38mm           |      |
| 9  | BFL (O)               | 4.01mm           |      |
| 10 | For Sensor            | 1/4"             |      |
| 11 | F.O.V                 | Horizontal       | 115° |
| 12 |                       | Vertical         | 87°  |
| 13 |                       | Diagonal         | 170° |
| 14 | TV Distortion         | <-20%            |      |
| 15 | Relative Ill.         | >80%             |      |
| 16 | Chief Ray Angle       | <9°              |      |
| 17 | M.O.D                 | 0.1m~∞           |      |
| 18 | Mount Type            | M8*P0.5          |      |
| 19 | Dimension Figure      | φ12.00*L10.68mm  |      |
| 20 | Lens Structure        | 5G               |      |
| 21 | IR-Filter             | T=50% & 650±10nm |      |
| 22 | Waterproof            | No               |      |
| 23 | Weight                | 3.5g             |      |
| 24 | Iris Operation        | Fixed            |      |
| 25 | Zoom Operation        | Fixed            |      |
| 26 | Focus Operation       | Manual           |      |
| 27 | Operating Temperature | -20° ~+85°       |      |
| 28 | Storage Temperature   | -20° ~+85°       |      |



| Scale | Remark | Tolerances | Date       | Revised        |            | 福州创安光电科技有限公司<br>FUZHOU CHUANGAN OPTICS CO., LTD |
|-------|--------|------------|------------|----------------|------------|---|
| 5 : 1 | X      | ±0.2       | 2022-01-10 | CH1308A Rev1.1 |            |   |
| Untis | X.00   | ±0.10      | Design     | Linda          | 2016-03-08 | <br>3D Angle Projection                         |
|       | X.000  | ±0.001     | Checked    | Anna           | 2016-05-17 |   |
| mm    | Angle  | ±0.5°      | Approval   | Sanmu          | 2016-05-19 |   |